

SKYSTAR



广州亮星灯光科技有限公司

Guangzhou Skystar Lighting Co., Ltd.

地址：中国 广东 广州市天河区 龙洞迎龙大道260号 龙山工业园E-1栋 二层
电话：020-87022418
传真：020-87023011
移动电话：1360286313 13609702481 15876563678
网址：www.lightskystar.com
<http://skystarstage.com>
电子邮箱：623872311@qq.com, 2574031523@qq.com,
1725113820@qq.com

Add: 2F., Building E-1, Longshan industry Park, Yinglong RD., Longdong,
Tianhe District, Guangzhou China.
Wed site: www.lightskystar.com
<http://skystarstage.com>
E-mail: 623872311@qq.com, 2574031523@qq.com,
1725113820@qq.com
Tel: +8620-87022418
Fax: +8620-87023011
cellphone: +86 13609702481 (NIKI)
Whatsapp: +86 15876563678 (Davy Kwok)



广州亮星灯光科技有限公司

Guangzhou Skystar Lighting Co., Ltd.

SR-380PRO



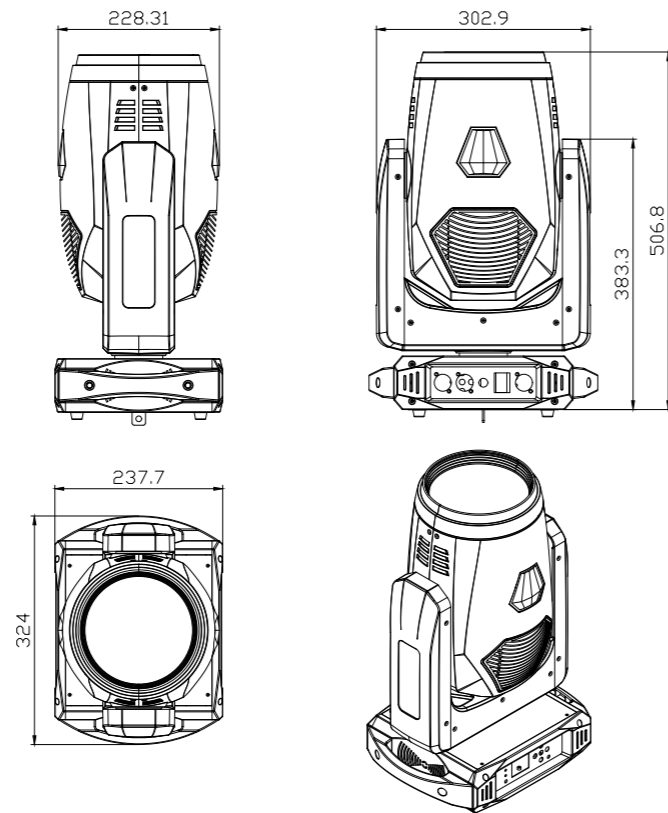
技术参数:

灯泡: 18R 380W/OSRAM 371w
 功耗: 100-240V 50/60HZ 460W
 使用寿命: 1500小时
 光斑角度: 0° -2°
 电子聚焦: 20米处, 180000LUX
 颜色轮: 12个颜色片+白光, 半色效果, 可做双向变速彩虹效果。
 图案: 旋转图案轮: 6个可更换图案片(其中4个玻璃图案)+白光, 可做双向变速效果。(SR-380PRO)
 图案: 固定图案轮: 15个可更换图案片+白光, 可做双向变速效果。
 棱镜 四个可旋转棱镜(SR-380PRO), 两个棱镜盘, 可叠加。可正反方向旋转, 并具有棱镜定位功能
 调焦: 线性调焦
 雾化: 0%-100%可调
 效果盘: 六彩盘
 调光: 0-100%线性调光
 频闪: 0.5-20次/秒, 速度可调
 旋转角度: 水平540°, 垂直270°
 自动回位纠错功能, 具有16bit精度调节)
 切光: 具有颜色+图案+棱镜+水平/垂直切光功能
 控制: 国际标准DMX512信号, 3芯接口
 通道: 16/18/20CH(SR-380PRO) 16CH(SR-380)
 显示: 触摸显示屏, 显示可选位置
 防护等级: IP20, 内置过热和触发高压保护, LED 温度显示
 净重 15.5公斤(SR-380PRO) 14公斤(SR-380)
 毛重: 17.5公斤(SR-380PRO) 16公斤(SR-380)
 灯体尺寸: 长324×宽238×高527(mm)
 包装尺寸: 长385×宽300×高590(mm)

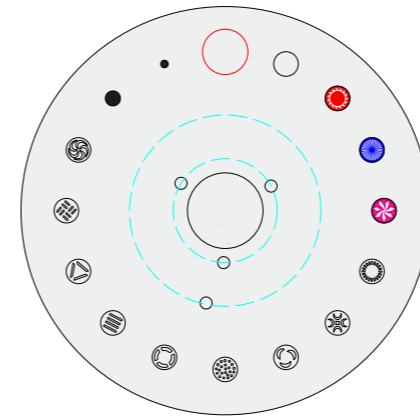
TECHNICAL PARAMETER:

VOLTAGE: AC100- 240V 50/60HZ
 LIGHT SOURCE: 18R 380W/OSRAM 371W
 POWER CONSUMPTION: 460W
 BEAM ANGLE: 0°-2°
 ELECTRONIC FOCUS: 20 meters, 180000 LUX
 1 COLOR WHEEL: 12 colors+open, half color effect, bi-directional rainbow effect at variable speed
 1 ROTATING GOBO WHEEL: 6 rotating gobos+open, bi-directionally rotating at variable speed (SR-380PRO)
 1 FIX GOBO WHEEL: 15 fix gobos+open, bi-directionally rotating at variable speed
 2 PRISM WHEEL: 4PRISM (SR-380PRO), 2PRISM (SR-380) 8、16、24-facet prism, 6-facet linearprism bi-directionally rotating, at variable speed
 FOCUS: Linearly adjustable
 WASH: 0~100% adjustable
 EFFECT: 6 color wheel
 DIMMER: 0~100% linearly adjustable
 STROBE: 0.5~20 flash per second, speed adjustable
 PAN AND TILT: Smooth, automatic Pan & Tilt position correction, speed adjustable
 RANGE: Pan-540°, Tilt-270°(16-bit)
 VECTOR MODE: Color+GOBO+Prism+XY Vector
 CONTROL PROTOCOL: DMX 512, 3 pin interface
 CHANNELS: 16/18/20CH(SR-380PRO) 16CH(SR-380)
 DISPLAY: Touch screen, the words can be upside down
 PROTECT GRADE: IP20, overheating & overvoltage protection
 NET WEIGHT: 15.5KG (SR-380PRO) 14KG(SR-380)
 GROSS WEIGHT: 17.5KG(SR-380PRO) 16KG(SR-380)
 FIXTURE DIMENSION: L324×W238×H527(mm)
 PACKING DIMENSION: L385×W300×H590(mm)

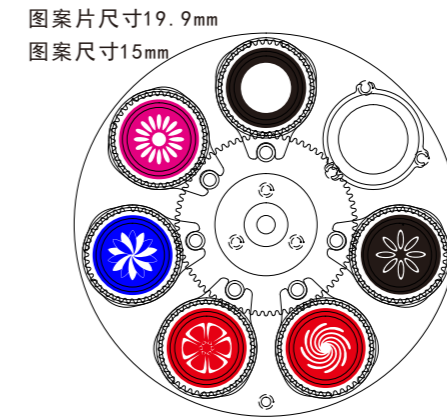
SR-380



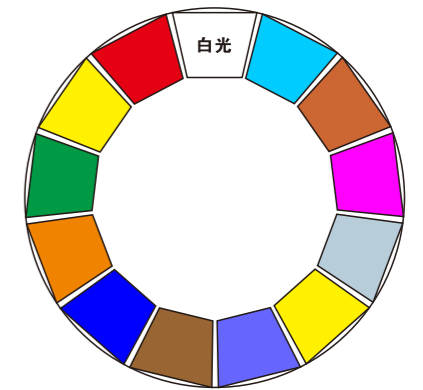
固定图案 (FIX GOBO)



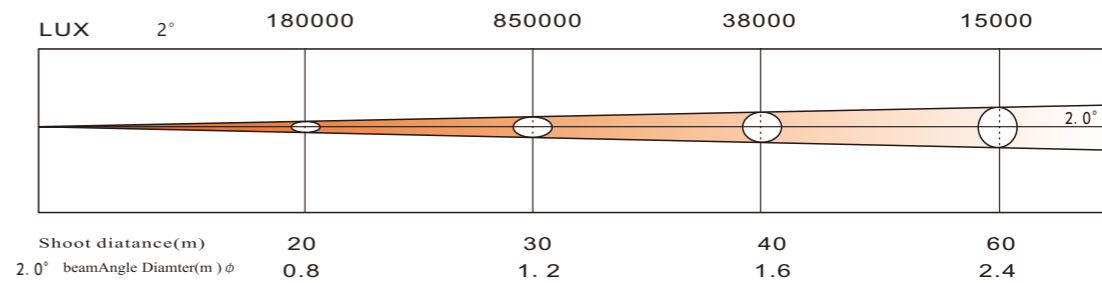
旋转图案 (ROTA GOBO)



颜色 (COLOR)



SR-380 >> 光效图



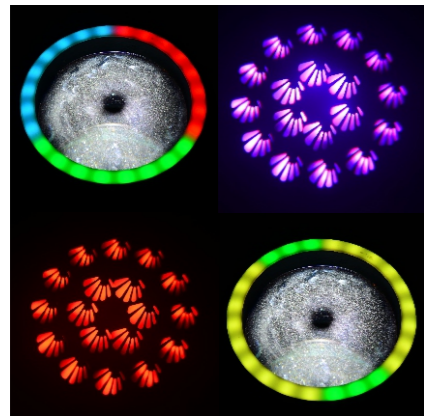
Channel	Control Type	Range / Values
CH1 Color	Color wheel	0-7, 8-15, 16-23, 24-31, 32-39, 40-47, 48-55, 56-63, 64-71, 72-79
CH2 Strobe	Strobe	0, 240, 241-255
CH3 Dimmer	Dimmer	0, 240, 241-255
CH4 GOBO	Gobo	0-128, 129-255
Ch5 PrismA	Prism	0, 10, 90, 91, 170, 171, 255
Ch6 PrismB	Prism	0, 10, 11, 255
Ch7 Rota gobo	Rotating Gobo	0-14, 30-44, 45-59, 60-74, 75-89, 90-104, 105-119, 120-137, 138-255
Ch8 Gobo rota	Rotating Gobo	0-128, 129-255
Ch9 Focus	Focus	0, 255
Ch10 Pan	Pan	0°, 540°
Ch11 Pan Fine	Pan Fine	0°, 3.6°
Ch12 Tilt	Tilt	0°, 250°
Ch13 Tilt Fine	Tilt Fine	0°, 3°
Ch14 Mode	Mode	0, 255
Ch15 6 color	6 color	0, 127, 128, 191, 192, 255
Ch16 Reset	Reset	100-105 (Turn off the lamp), 200-205 (Turn on the lamp after 1 minute), 255 (Later 2s System Reset)



SR-251R



SR-251



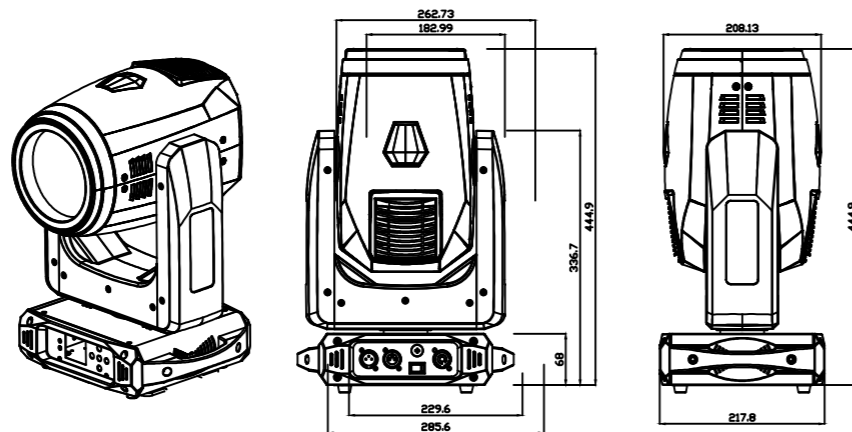
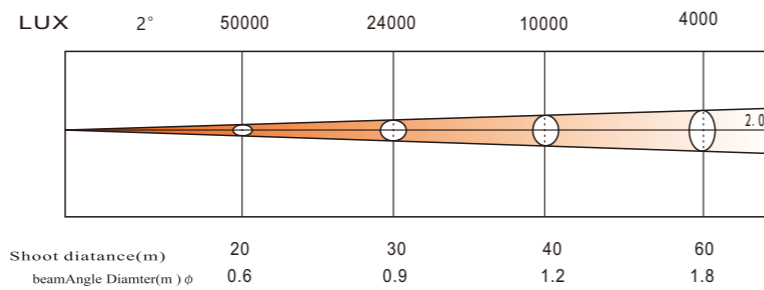
技术参数:

灯 泡 9R 250W
功 耗: 100V-240V 50/60HZ, 320W
光学器件: 高效率镜头组, 变焦0° 至 2°
电子聚焦: 20米处, 50000LUX
通道模式: 16/18 (SR-251R) 国际标准DMX512通道
水平扫描: 540° (16bit精度扫描)
垂直扫描: 280° (16bit精度扫描)
色 片 盘: 12个色片+白光,
带双向旋转的彩虹效果
图案盘: 13个图案片+白圆,
带图案抖动和图案任意定位功能
棱镜盘2个可旋转棱镜, 两个棱镜盘可叠加。
可正反方向旋转。
频 闪: 频闪频率最高可以10次每秒,
并可选择随机频闪及脉冲频闪
调 光: 0%~100%线性调光
雾 化: 0%~100%线性雾化
LED 效果 : 24 颗5050灯珠, 圈控可调速。
(SR-251R)
效果盘 : 六彩盘
电子整流器: 使产品重量更轻, 亮度更强,
灯泡更稳定, 更环保, 更节能
开关电源: AC100~240V, 50/60HZ
灯体尺寸: 长286×宽218×高465 (mm)
包装尺寸: 长345×宽280×高530 (mm)
净 重: 9.8公斤
毛 重: 11.5公斤

TECHNICAL PARAMETER:

VOLTAGE: AC100- 240V 50/60Hz
LIGHT SOURCE: 9R,250W
POWER CONSUMPTION: 320W
OPTICAL DEVICE: high efficiency lens group,0°-2°zoom
ELECTRONIC FOCUS: 20 meters, 50000 LUX
CHANNEL MODE: 16/18 (SR-251R) standard DMX512 channel
LEVEL SCANNING: 540 (16 bit precision scan)
VERTICAL SCAN: 280 (16 bit precision scan)
COLOR WHEEL: 12color and white light
with two-way rotating and rainbow effect
GOBO WHEEL: 13 gobos and white circle
with design jitter and arbitrary positioning function
PRISM: 2 prism,2 prism wheel with superposition,
positive and negative rotation.
SHUT: shut up to 10 times per second,
random shut and pulse shut can be choosed
DIMMER: 0% ~ 100% linear dimmer
FROST: 0% ~ 100% linear frost
EFFECT: 6 color wheel
LED EFFECT: 24PC 5050LED ,circle speed change
(SR-251R)
Electronic ballast : make the product more light and bright.
Lamp more stable environmental protection and
more energy saving
SWITCHING POWER SUPPLY : AC1G0 ~ 240 V, 50/60 HZ
FIXTURE DIMENSION: L286×W218×H465 (mm)
PACKING DIMENSION: L345×W280×H530 (mm)
NET WEIGHT: 9.8KG
GROSS WEIGHT: 11.5KG)

SR-251/251R >>光效图



SR-295R



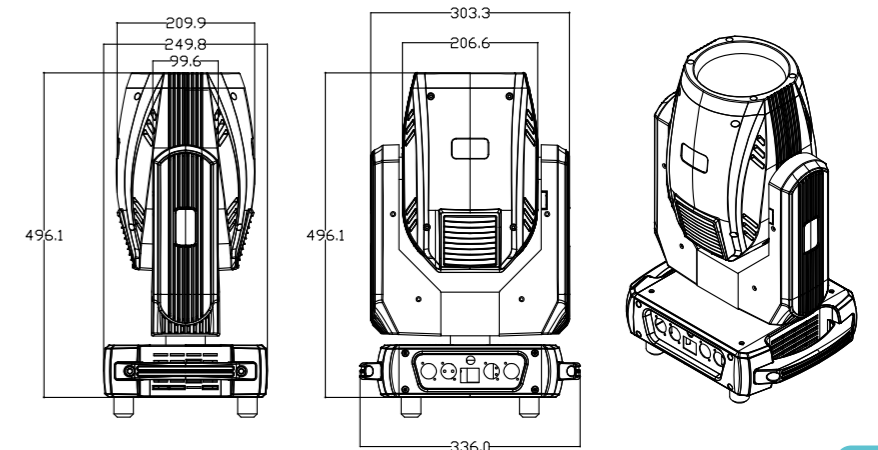
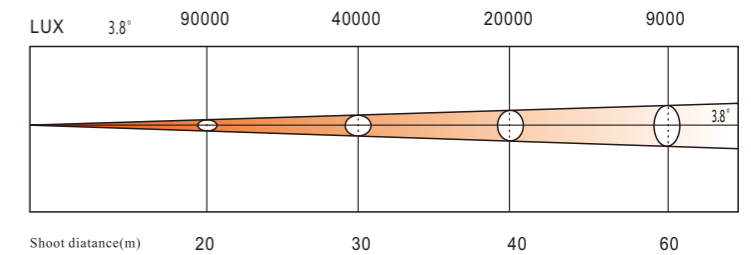
技术参数:

灯泡: 10R 290W
功耗: 230V 50HZ 400W
光学器件: 高效率镜头组, 变焦0° 至 3.8°
电子聚焦: 20米处, 90000LUX
通道模式: 18个国际标准DMX512通道
水平扫描: 540° (16bit精度扫描)
垂直扫描: 280° (16bit精度扫描)
色片盘: 13个色片+白光, 带双向旋转的彩虹效果
旋转图案盘: 13个图案片+白圆,
带图案抖动和图案任意定位功能
棱镜盘2个可旋转棱镜, 两个棱镜盘可叠加。
可正反方向旋转。
频闪: 双铡刀频闪频率最高可以13次每秒,
并可选择随机频闪及脉冲频闪
调光: 0%~100%线性调光
雾化: 0%~100%线性雾化
效果: 6彩盘
LED 效果 : 24 颗5050灯珠, 圈控可调速。
电子整流器: 使产品重量更轻, 亮度更强,
灯泡更稳定, 更环保, 更节能
开关电源: AC100-240V, 50/60HZ
灯体尺寸: 长336×宽249×高515 (mm)
包装尺寸: 长380×宽300×高580 (mm)
净重: 14公斤
毛重: 16公斤

TECHNICAL PARAMETER:

VOLTAGE: AC90- 240V 50/60Hz
LIGHT SOURCE: 10R 290W
CUSTOMIZED LIGHT SOURCE 290W
POWER CONSUMPTION: 400W
BEAM ANGLE: 0-3.8°
ELECTRONIC FOCUS: 20 meters, 90000 LUX
1 COLOR WHEEL: 13 colors+open, half color effect,
bi-directional rainbow effect at variable speed
1 FIX GOBO WHEEL: 13 fix gobos (includes 3 glass gobos)
+open, bi-directionally rotating at variable speed
at variable speed
PRISM: 48 facet prisms,6-facet linear prism with positive and
negative rotation and prism location function
EFFECT: 6 color wheel, frost
LED EFFECT: 24PC 5050LED ,circle speed change
FOCUS: Linearly adjustable
DIMMER: 0~100% linearly adjustable
STROBE: 0.5~20 flash per second, speed adjustable
RANGE: Pan-540°, Tilt-270°
VECTOR MODE: Color+GOBO+Prism+XY Vector
CONTROL PROTOCOL: DMX 512, 3 pin interface
CHANNELS: 18CH
FIXTURE DIMENSION: L336×W249×H515 (mm)
PACKING DIMENSION: L380×W300×H580 (mm)
N.W.: 14 kg
GROSS WEIGHT: 16KG

SR-295R >>光效图



SR-295R DMX Channel Control	
CH1 Pan	0° - 540°
CH2 Tilt	0° - 250°
CH3 Pan Fine	0° - 255
CH4 Tilt Fine	0° - 3°
Ch5 X/Y Speed	Fast to slow
Ch6 6 color Animation	0 - 255
Ch7 Strobe	0 - 240
Ch8 Dimmer	0 - 241-255
Ch9 Color	0 - 255
Ch10 Color	0 - 255
Ch11 GOBO	0 - 255
Ch12 GOBO shake	0 - 255
Ch13 Focus	0 - 255
Ch14 Prism1	0 - 128
Ch15 Prism2	0 - 128
Ch16 Reset	100-105 (Turn off the lamp), 200-205 (Turn on the lamp after 1 minute), 255 (Later 2s System Reset)
Ch17 LED circle	0 - 255
Ch18 LED SPEED	0 - 255

THUNDER-280H/PRO

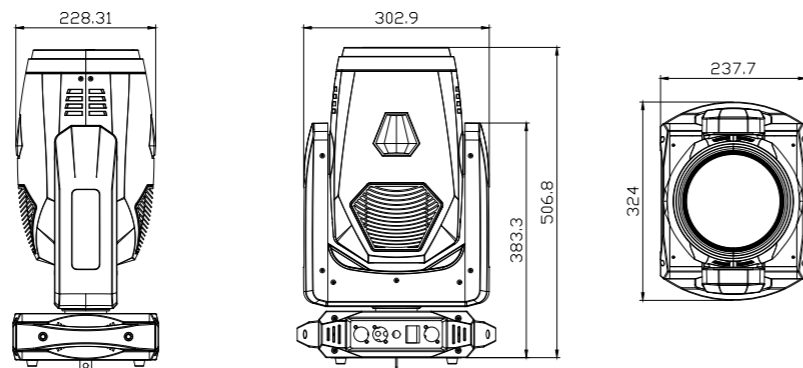
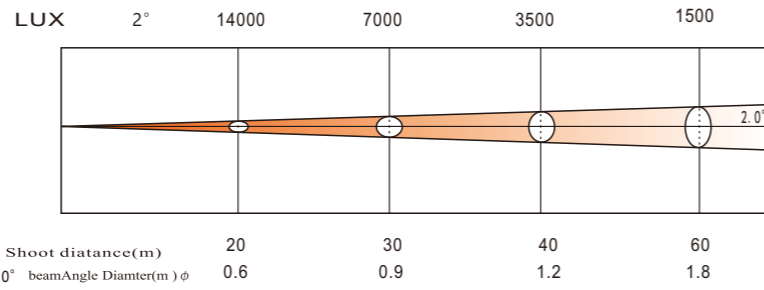
技术参数:

光源: 280W LED 白光模组
 功耗: 100-240V 50/60HZ 330W
 使用寿命: 1500小时
 光斑角度: 0° -2°
 电子聚焦: 20米处, 14000LUX
 颜色轮: 12个颜色片+白光, 半色效果, 可做双向变速彩虹效果。
 图案: 旋转图案轮: 6个可更换图案片(其中4个玻璃图案)+白光, 可做双向变速效果。(THUNDER-280PRO)
 图案: 固定图案轮: 15个可更换图案片+白光, 可做双向变速效果。
 棱镜 四个可旋转棱镜(THUNDER-280PRO), 两个棱镜盘, 可叠加。可正反方向旋转, 并具有棱镜定位功能
 调焦: 线性调焦
 雾化: 0%-100%可调
 效果盘: 六彩盘
 调光: 0-100%线性调光
 频闪: 0.5-20次/秒, 速度可调
 旋转角度: 水平540°, 垂直270°
 自动回位纠错功能, 具有16bit精度调节)
 切光: 具有颜色+图案+棱镜+水平/垂直切光功能
 控制: 国际标准DMX512信号, 3芯接口
 通道: 16/18/20CH(THUNDER-280PRO) 16CH(THUNDER-280H)
 显示: 触摸显示屏, 显示可选倒置
 防护等级: IP20, 内置过热和触发高压保护, LED温度显示
 净重 15.5公斤(THUNDER-280PRO) 14公斤(THUNDER-280H)
 毛重: 17.5公斤(THUNDER-280PRO) 16公斤(THUNDER-280H)
 灯体尺寸: 长324×宽238×高527(mm)
 包装尺寸: 长385×宽300×高590(mm)

TECHNICAL PARAMETER:

VOLTAGE: AC100- 240V 50/60Hz
 LIGHT SOURCE: 280W LED ENGINE
 POWER CONSUMPTION: 330W
 BEAM ANGLE: 0°-2°
 ELECTRONIC FOCUS: 20 meters, 14000 LUX
 1 COLOR WHEEL: 12 colors+open, half color effect, bi-directional rainbow effect at variable speed
 1 ROTATING GOBO WHEEL: 6 rotating gobos+open, bi-directionally rotating at variable speed (THUNDER-280PRO)
 1 FIX GOBO WHEEL: 15 fix gobos+open, bi-directionally rotating at variable speed
 2 PRISM WHEEL: 4PRISM (THUNDER-280PRO), 2PRISM (THUNDER-280H) 8. 16. 24-facet prism, 6-facet linearprism bi-directionally rotating, at variable speed
 FOCUS: Linearly adjustable
 WASH: 0-100% adjustable
 EFFECT: 6 color whee
 DIMMER: 0-100% linearly adjustable
 STROBE: 0.5-20 flash per second, speed adjustable
 PAN AND TILT: Smooth, automatic Pan & Tilt positioncorrection, speed adjustable
 RANGE: Pan-540°, Tilt-270°(16-bit)
 VECTOR MODE: Color+GOBO+Prism+XY Vector
 CONTROL PROTOCOL: DMX 512, 3 pin interface
 CHANNELS: 16/18/20CH (THUNDER-280PRO) 16CH (THUNDER-280H)
 DISPLAY: Touch screen, the words can be upside down
 PROTECT GRADE: IP20, overheating & overvoltage protection
 NET WEIGHT: 15.5KG (THUNDER-280PRO) 14KG (THUNDER-280H)
 GROSS WEIGHT: 17.5KG (THUNDER-280PRO) 16KG (THUNDER-280H)
 FIXTURE DIMENSION: L324×W238×H527(mm)
 PACKING DIMENSION: L385×W300×H590 (mm)

THUNDER-280H/PRO >>光效图



THUNDER-280PRO DMX Channel Control	
CH1 Color	0-7 8-15 16-23 24-31 32-39 40-47 48-55 56-63 64-71 72-79
CH2 Strobe	0 240 241-255
CH3 Dimmer	0 240 241-255
CH4 GOBO	0 128-255
Ch5 PrismA	0 10 11 255
Ch6 PrismB	0 10 11 255
Ch7 Rotate gobo	0 10 11 255
Ch8 Gobo 10A	0 10 11 255
Ch9 Focus	0 255
Ch10 Pan	0° 540°
Ch11 Pan Fine	0° 3.6°
Ch12 Tilt	0° 250°
Ch13 Tilt Fine	0° 3°
Ch14 Mode	0 127 128 191 192 255
Ch15 6 color frost	0 127 128 191 192 255
Ch16 Reset	255 Later 2s System Reset

THUNDER-150

技术参数:

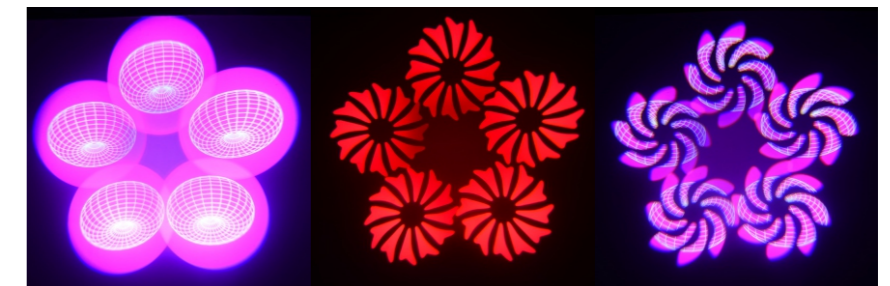
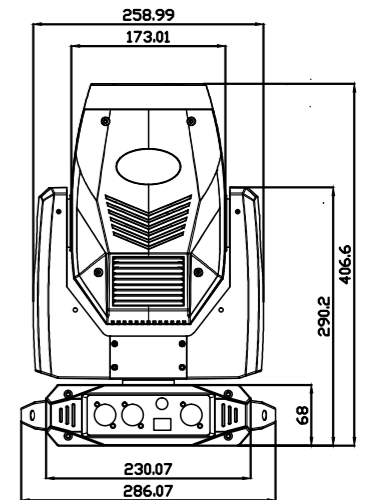
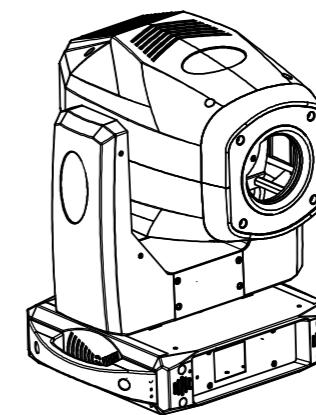
额定电压: AC00-240V, 50/60Hz
 光源: 150瓦 LED 白光
 额定功率: 180w
 使用寿命: 60,000-100,000小时
 光斑角度: 8°-18°
 颜色轮: 9个颜色片+白光, 半色效果, 可做双向变速彩虹效果。
 图案: 旋转图案轮: 6个可更换图案片(其中2个玻璃图案)+白光, 可做双向变速效果。
 图案: 固定图案轮: 9个可更换图案片+白光, 可做双向变速效果。
 棱镜: 五棱镜, 双向旋转, 速度可调
 调焦: 线性调焦
 调光: 0-100%线性调光
 频闪: 0.5-20次/秒, 速度可调
 旋转角度: 水平540°, 垂直270°
 (自动回位纠错功能, 具有16bit精度调节)
 控制: 国际标准DMX512信号, 3芯接口
 通道: 16CH
 净重 7.8公斤
 毛重: 9.6公斤
 灯体尺寸: 长280×宽210×高425(mm)
 包装尺寸: 长360×宽270×高480(mm)

TECHNICAL PARAMETER:

VOLTAGE: AC100- 240V 50/60Hz
 LIGHT SOURCE: 150W LED
 POWER CONSUMPTION: 180W
 RATED LIFE: 60,000-100,000hours
 BEAM ANGLE(ZOOM): 8°-18°
 1 COLOR WHEEL: 9 colors+open, half color effect, bi-directional rainbow effect at variable speed
 1 ROTATING GOBO WHEEL: 6 rotating gobos+open, bi-directionally rotating at variable speed
 1 FIX GOBO WHEEL: 9 fix gobos+open, bi-directionally rotating at variable speed
 1 PRISM WHEEL: 5-facet prism, bi-directionally rotating, at variable speed
 FOCUS: Linearly adjustable
 DIMMER: 0-100% linearly adjustable
 FROST: 0-100% linearly adjustable
 STROBE: 0.5-20 flash per second, speed adjustable
 PAN AND TILT: Smooth, automatic Pan & Tilt positioncorrection, speed adjustable
 RANGE: Pan-540°, Tilt-270°
 CONTROL PROTOCOL: DMX 512, 3 pin interface
 CHANNELS: 16CH
 FIXTURE DIMENSION: L280 W210 H425(MM)
 PACKING DIMENSION: L360×W270×H480(mm)
 Net weight: 7.8kgs
 GROSS WEIGHT: 9.6KG



THUNDER-150 DMX Channel Control	
CH1 Dimmer	0 240 241-255
CH2 Strobe	0 240 241-255
CH3 Pan	0° 540°
CH4 Tilt	0° 250°
Ch5 X/Y Speed	0 255 X/Y Speed Fast to slow
Ch6 Color	0-14 15-29 30-44 45-59 60-74 75-89 90-109 110-127 128-255
Ch7 GOBO	0 128-255
Ch8 GOB01	0-14 15-29 30-44 45-59 60-74 75-89 90-109 110-127 128-255
Ch9 GOBO ROTATE	0 63 64 128 129 255
Ch10 Prism	0 31 32 255
Ch11 Frost	0 255
Ch12 Focus	0 255
Ch13 ZOOM	0 100 255
Ch14 Pan Fine	0° 3.6°
Ch15 Tilt Fine	0° 3°
Ch16 Reset	255 Later 2s System Reset





THUNDER-180H

LED光束摇头灯
20米照度 13000 LUX

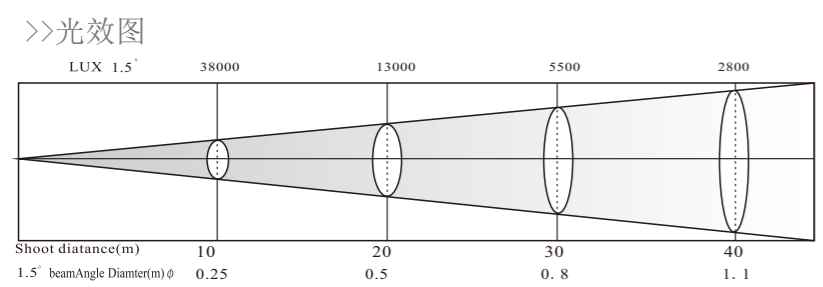


技术参数:

额定电压: AC100-240V, 50/60Hz
光源: 180W LED 白光模组
额定功率: 250w
使用寿命: 50,000小时
净重: 13公斤
毛重: 15公斤
灯体尺寸: 长330×宽230×高515 (mm)
包装尺寸: 长400×宽310×高565 (mm)
光斑角度: 1.5° (20米均匀照度 13000 LUX)
颜色轮: 12个颜色片+白光, 半色效果, 可做双向变速彩虹效果。
图案: 固定图案轮: 13个可更换图案片+白光, 可做双向变速效果。
棱镜: 两个棱镜, 双向旋转, 速度可调, 六色效果盘
调焦: 线性调焦
雾化: 0%~100%可调
调光: 0~100%线性调光
频闪: 0.5~20次/秒, 速度可调
旋转角度: 水平540°, 垂直270° (自动回位纠错功能, 具有16bit精度调节)
控制: 国际标准DMX512信号, 3芯接口
通道: 16CH
显示: 触摸显示屏, 显示可选倒置
防护等级: IP20, 内置过热和触发高压保护, LED温度显示

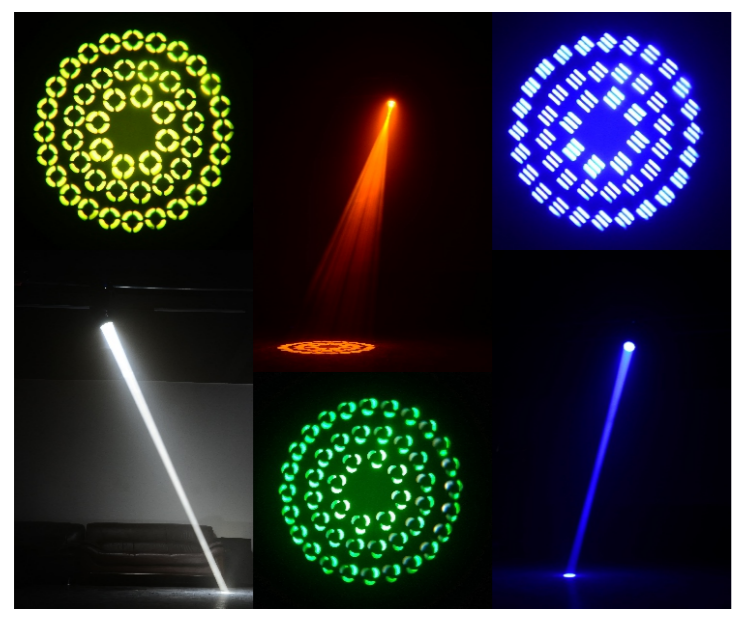
TECHNICAL PARAMETER:

VOLTAGE: AC100-240V 50/60Hz
LIGHT SOURCE: 180W LED ENGINE
POWER CONSUMPTION: 250W
NET WEIGHT: 13KG
GROSS WEIGHT: 15KG
FIXTURE DIMENSION: L330×W230×H515(mm)
PACKING DIMENSION: L400×W310×H565(mm)
BEAM ANGLE: 1.5° (20 meters, 13000 LUX)
1 COLOR WHEEL: 12 colors+open, half color effect, bi-directional rainbow effect at variable speed
1 FIX GOBO WHEEL: 13 fix gobos+open, bi-directionally rotating at variable speed
1 PRISM WHEEL: 2 prism, bi-directionally rotating, at variable speed, 6 color wheel.
FOCUS: Linearly adjustable
DIMMER: 0~100% linearly adjustable
WASH: 0~100% adjustable
STROBE: 0.5~20 flash per second, speed adjustable
PAN AND TILT: Smooth, automatic Pan & Tilt position correction, speed adjustable
RANGE: Pan-540°, Tilt-270°
CONTROL PROTOCOL: DMX 512, 3 pin interface
CHANNELS: 16CH
DISPLAY: Touch screen, the words can be upside down
PROTECT GRADE: IP20, overheating & overvoltage protection



THUNDER-180H DMX Channel Control

CH1 Pan	0° - 540°
CH2 Tilt	0° - 250°
CH3 Pan Fine	0° - 3.6°
CH4 Tilt Fine	0° - 3°
Ch5 X/Y Speed	Fast to slow
Ch6 Strobe	0 - 240/255
Ch7 Dimmer	0 - 240/255
Ch8 Color	0-7, 8-15, 16-23, 24-31, 32-39, 40-47, 48-55, 56-63, 64-71, 72-79, 80-87, 88-95, 96-103, 104-111, 112-127, 128-191, 192-255
Ch9 6 color	0 - 255
Ch10 GOBO	0-6, 7-13, 14-20, 21-27, 28-34, 35-41, 42-48, 49-55, 56-62, 63-69, 70-76, 77-83, 84-90, 91-97, 98-104, 105-111, 112-118, 119-127, 128-255
Ch11 GOBO shake	0 - 255
Ch12 Prism	0 - 255
Ch13 Prism rota	Stop, 360度定位, fast speed, low speed, fast speed
Ch14 Atomization	0 - 255
Ch15 Focus	0 - 255
Ch16 Reset	255 Later 2s System Reset



THUNDER-160HR



THUNDER-160H

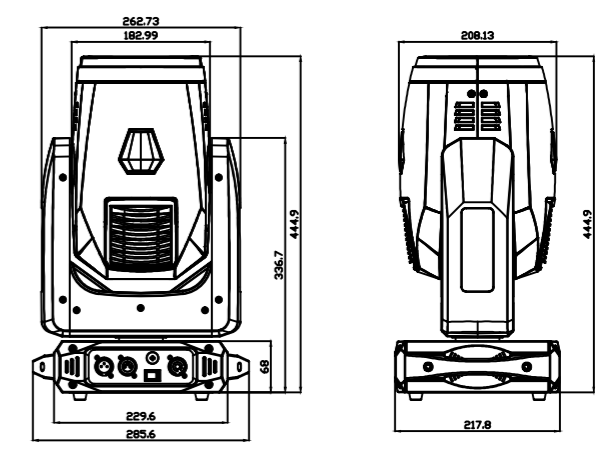
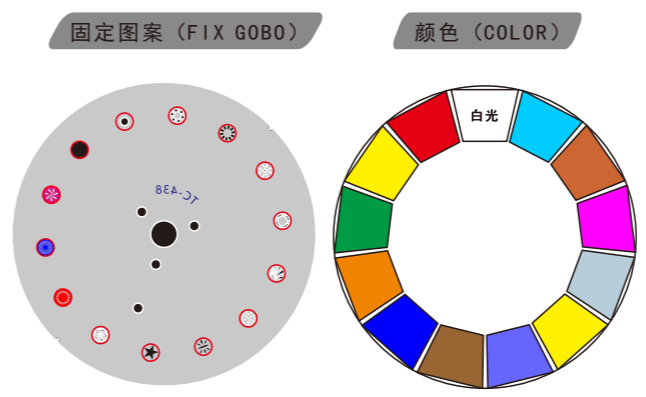
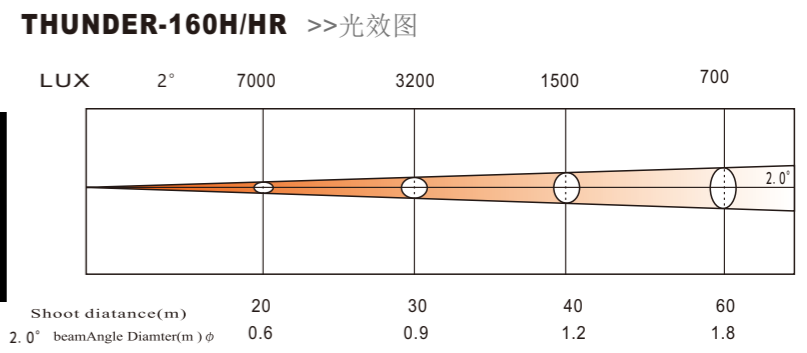


技术参数:

光源: 160W LED 白光模组
功耗: 100V-240V 50/60HZ, 200W
光学器件: 高效率镜头组, 变焦0°至2°
电子聚焦: 20米处, 7000LUX
通道模式: 16/18 (THUNDER-160R) 国际标准DMX512通道
水平扫描: 540° (16bit精度扫描)
垂直扫描: 280° (16bit精度扫描)
色片盘: 12个色片+白光, 带双向旋转的彩虹效果
图案盘: 13个图案片+白光, 带图案抖动和图案任意定位功能
棱镜盘: 2个可旋转棱镜, 两个棱镜盘可叠加, 可正反方向旋转。
频闪: 频闪频率最高可以15次每秒, 并可选择随机频闪及脉冲频闪
调光: 0%~100%线性调光
雾化: 0%~100%线性雾化
LED效果: 24颗5050灯珠, 圈控可调速。(THUNDER-160R)
效果盘: 六彩盘
电子整流器: 使产品重量更轻, 亮度更强, 灯泡更稳定, 更环保, 更节能
开关电源: AC100~240V, 50/60HZ
灯体尺寸: 长286×宽218×高465 (mm)
包装尺寸: 长345×宽280×高530 (mm)
净重: 9.8公斤
毛重: 11.5公斤

TECHNICAL PARAMETER:

VOLTAGE: AC100-240V 50/60Hz
LIGHT SOURCE: 160W LED ENGINE
POWER CONSUMPTION: 200W
OPTICAL DEVICE: high efficiency lens group, 0°-2° zoom
ELECTRONIC FOCUS: 20 meters, 7000 LUX
CHANNEL MODE: 16/18 (SR-251R) standard DMX512 channel
LEVEL SCANNING: 540 (16 bit precision scan)
VERTICAL SCAN: 280 (16 bit precision scan)
COLOR WHEEL: 12color and white light with two-way rotating and rainbow effect
GOBO WHEEL: 13 gobos and white circle with design jitter and arbitrary positioning function
PRISM: 2 prism, 2 prism wheel with superposition, positive and negative rotation.
SHUT: shut up to 10 times per second, random shut and pulse shut can be choosed
DIMMER: 0% ~ 100% linear dimmer
FROST: 0% ~ 100% linear frost
EFFECT: 6 color wheel
LED EFFECT: 24PC 5050LED, circle speed change (THUNDER-160R)
Electronic ballast: make the product more light and bright. Lamp more stable environmental protection and more energy saving
SWITCHING POWER SUPPLY: AC1G0 ~ 240 V, 50/60 HZ
FIXTURE DIMENSION: L286×W218×H465 (mm)
PACKING DIMENSION: L345×W280×H530 (mm)
NET WEIGHT: 9.8KG
GROSS WEIGHT: 11.5KG



THUNDER-120HR



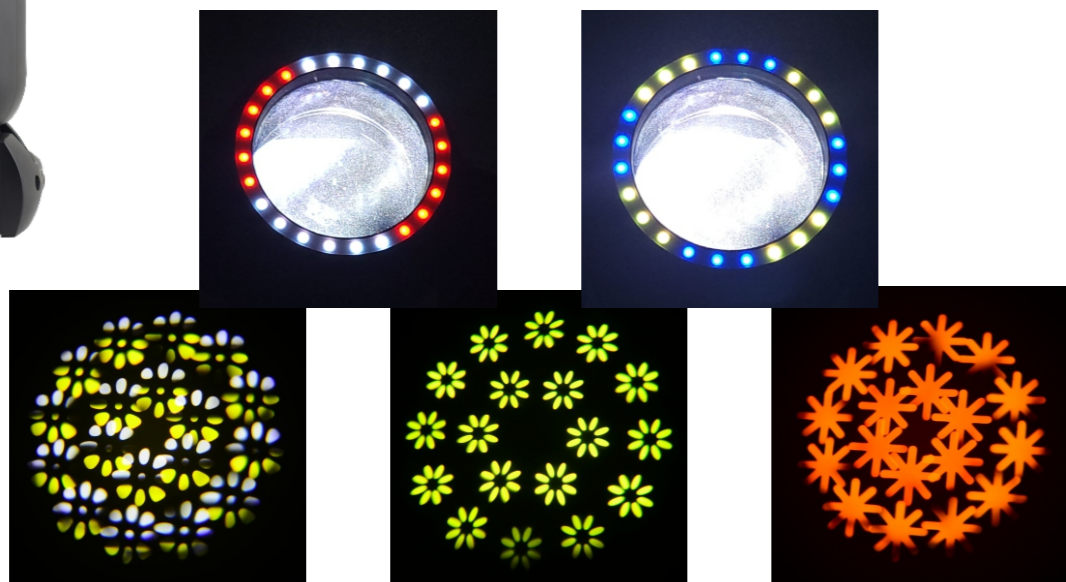
技术参数:

额定电压: AC100-240V, 50/60Hz
光源: 120W LED 白光COB
额定功率: 150w
使用寿命: 50,000小时
净重: 5.5公斤 (THUNDER-120HR)
4.5公斤 (THUNDER-120H)
毛重: 6.5公斤 (THUNDER-120HR)
5.5公斤 (THUNDER-120H)
灯体尺寸: 长230×宽190×高360 (mm)
(THUNDER-120HR)
长240×宽160×高330 (mm)
(THUNDER-120H)
包装尺寸: 长270×宽230×高400 (mm)
(THUNDER-120HR)
长260×宽240×高330 (mm)
(THUNDER-120H)
光斑角度: 2° (5米均匀照度 50000 LUX)
(THUNDER-120HR)
2° (5米均匀照度 30000 LUX)
(THUNDER-120H)
颜色轮: 14个颜色片+白光, (THUNDER-120HR)
7个颜色片+白光, (THUNDER-120H)
半色效果, 可做双向变速彩虹效果。
固定图案轮: 17个可更换图案片+白光,
(THUNDER-120HR)
7个颜色片+白光, (THUNDER-120H)
可做双向变速效果。
棱镜: 一个棱镜, 双向旋转, 速度可调,
调焦: 线性调焦 (THUNDER-120HR)
频闪: 0.5-20次/秒, 速度可调
旋转角度: 水平540°, 垂直270° (自动
回位纠错功能, 具有16bit精度调节)
控制: 国际标准DMX512信号, 3芯接口
通道: 20CH (THUNDER-120HR)
12CH (THUNDER-120H)
显示: LCD显示屏, 显示可选倒置
防护等级: IP20, 内置过热和触发高压保护。

TECHNICAL PARAMETER:

VOLTAGE: AC100- 240V 50/60Hz
LIGHT SOURCE: 120W LED COB
POWER CONSUMPTION: 150W
NET WEIGHT: 5.5KG (THUNDER-120HR)
4.5KG (THUNDER-120H)
GROSS WEIGHT: 6.5KG (THUNDER-120HR)
5.5KG (THUNDER-120H)
FIXTURE DIMENSION: L230×W190×H360(mm)
(THUNDER-120HR)
L240 W160 H330(mm)
(THUNDER-120H)
PACKING DIMENSION: L270×W230×H400(mm)
(THUNDER-120HR)
L260 W240 H330(mm)
(THUNDER-120H)
BEAM ANGLE: 2° (20 meters, 50000 LUX)
(THUNDER-120HR)
2° (20 meters, 30000 LUX)
(THUNDER-120H)
1 COLOR WHEEL: 14 colors+open, (THUNDER-120HR)
7 colors+open, (THUNDER-120H)
half color effect, bi-directional rainbow effect
at variable speed
1 FIX GOBO WHEEL: 17 fix gobos+open, (THUNDER-120HR)
7 fix gobos+open, (THUNDER-120H)
bi-directionally rotating at variable speed
1 PRISM WHEEL: 1 prism, bi-directionally rotating,
at variable speed.
FOCUS: Linearly adjustable (THUNDER-120HR)
DIMMER: 0-100% linearly adjustable
STROBE: 0.5-20 flash per second, speed adjustable
PAN AND TILT: Smooth, automatic Pan & Tilt position correction,
speed adjustable
RANGE: Pan-540°, Tilt-270°
CONTROL PROTOCOL: DMX 512, 3 pin interface
CHANNELS: 20CH (THUNDER-120HR)
12CH (THUNDER-120H)
DISPLAY: Touch screen, the words can be upside down
PROTECT GRADE: IP20, overheating & overvoltage protection

THUNDER-120H



FS-4500



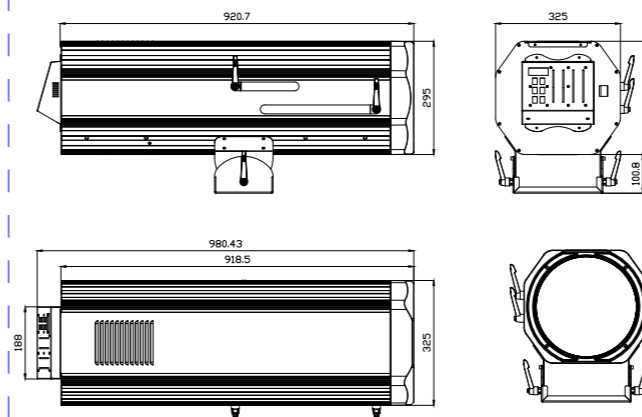
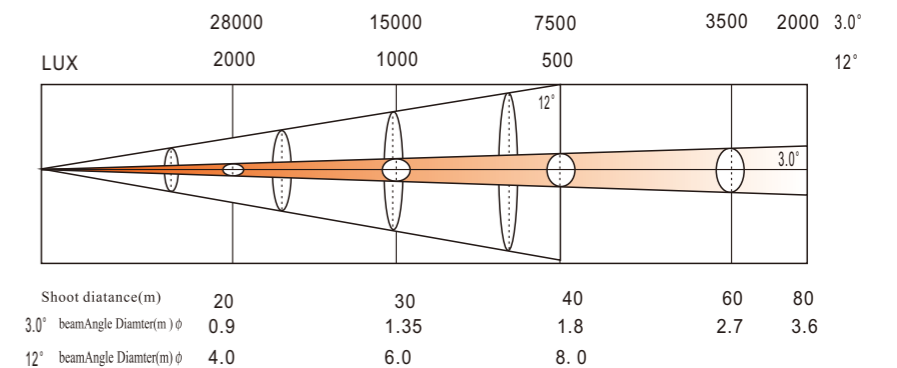
技术参数:

工作电压: AC90-240V 50Hz/60Hz
光源: LED 模组
功率: 600W
变焦角度: 3°至12°可调
光圈角度: 2°至12°可调
投射距离: 200-300米
颜色: 5种颜色++白光
CTO色温校正: 3200-7500K无极调节
照度: 80M/2000LUX
有效光通量: 20000 lm
光学系统手动控制, 功能电控面板
革命化光源和光学系统使其成为光效
最强LED追光灯照度媲美任何专业追光灯
适用于大型舞台、户外表演等场合。
灯具尺寸: 长990×宽350×高320 (mm)
航空箱包装 (含支架) 尺寸:
长1140×宽600×高730 (mm)
净重: 35 公斤
毛重: 68 公斤
(含航空箱和支架)

TECHNICAL PARAMETER:

Operating voltage: AC90-240V 50Hz/60Hz
Light source: LED module
Power: 600W
Zoom angle: 3-12 degrees adjustable
Aperture angle: 2-12 degrees adjustable
Projection distance: 200-300 meters
Color: 5 colors+ white
CTO color temperature correction: 3200-7500K
stepless adjustment
Illumination: 80M/2000LUX
Effective luminous flux: 20000 lm
Optical system manual control, functional electronic control
panel Revolutionary light sources and optical systems make
it become the most bright efficient LED follow spot light The
illumination is comparable to any professional follow spot light
Suitable for large-scale stage, outdoor performances and other
occasions.
size: 990 × 350 × 320 (mm)
Flightcase packaging (including stand) size:
1140 × 600 × 730 (mm)
Net weight: 35 kg
Gross weight: 68 kg (including flightcase and stand)

FS-4500 >>光效图

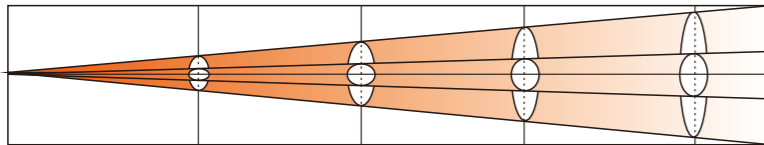


FS-400M

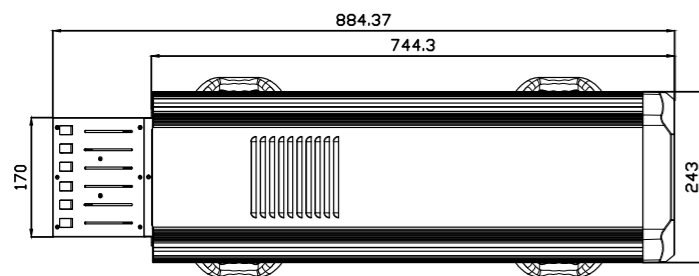
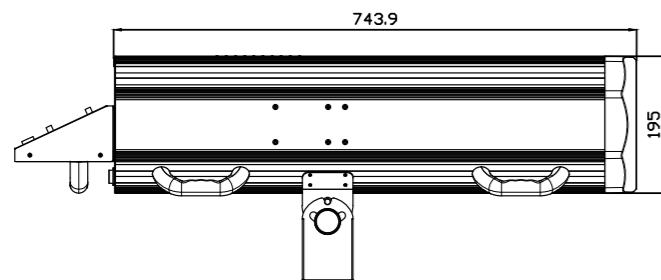


FS-400M >>光效图

LUX 6'	20000	4300	2100	1000
LUX 15'	6000	1200	600	300



Shoot distance(m)	10	20	30	40
15° beamAngle Diameter(m)φ	1.8	3.6	5.4	7.2
6° beamAngle Diameter(m)φ	0.9	1.8	2.7	3.6

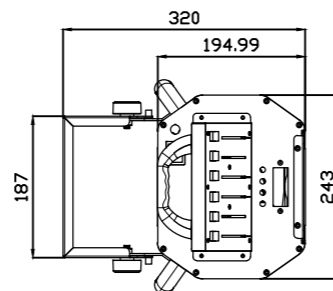


TECHNICAL PARAMETER:

Power: AC 100-240V 50HZ/60HZ
 Light source: 400W LED
 Power consumption: 450W
 Beam angle: 3°-12° adjustable
 zoom: 6-15° adjustable
 Cast distance 60-70 meters
 Color: 5colors+open
 CTO 3200K-7500K stepless adjustable
 Strobe 1/20sec -2 SEC adjustable
 Dimmer: 0-100% adjustable
 High brightness: 20M/4300LUX
 Control mode: electronic push button/DMX512 control
 Cooling system: convection cooling-fan, optimize internal air duct way, heat elimination rapidly
 IP grade: Ip20
 According to various kinds of safety standards,Light weight, easily use As well as the stage,multi-functional studio and disco, wedding ceremony.
 FIXTURE DIMENSION: L890×W290×H290(mm)
 PACKING DIMENSION: L930×W330×H340(mm)
 Net weight: 15kgs
 Gross weight: 17kgs

技术参数:

电源:AC 100-240V 50HZ/60HZ
 光源:400W LED
 功耗: 450w
 光束角度: 3° -12° 可调
 变焦: 6 - 15° 可调
 投掷距离: 60-70米
 颜色: 5种颜色+白光可调
 CTO 3200K-7500K 无级可调
 频闪1/20秒-2秒可调
 调光: 0 - 100%
 高亮度: 20 m / 4300LUX
 控制方式:电子推送 按钮/ DMX512控制
 冷却系统:轴流风扇致冷, 内部优化风路设计, 散热充分良好.
 IP等级: Ip20
 根据各种安全标准, 重量轻, 使用方便可以用于舞台、多功能演播室和迪斯科舞厅, 婚礼仪式等多种场合。
 产品尺寸: L890×W290×H290 (mm)
 包装尺寸: L930×W330×H340 (mm)
 净重: 15公斤
 毛重: 17公斤

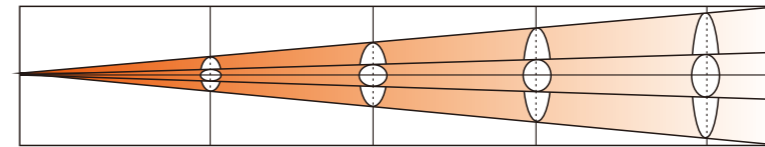


FS-400X

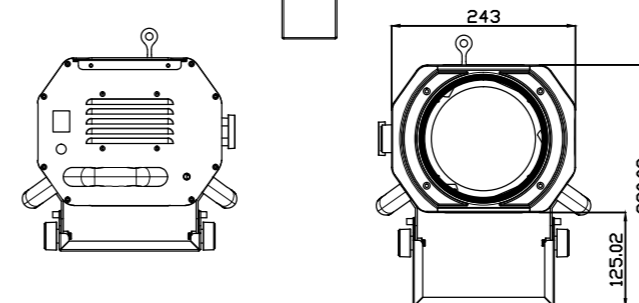
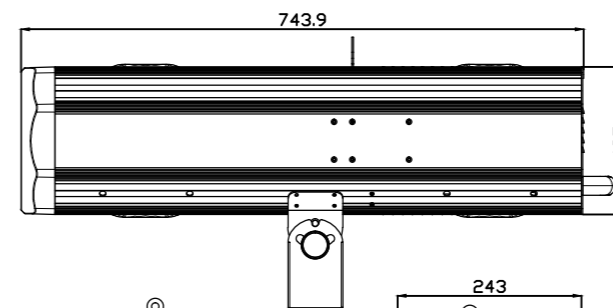


FS-400X >>光效图

LUX 6'	20000	4300	2100
LUX 15'	6000	1200	600



Shoot distance(m)	10	20	30
15° beamAngle Diameter(m)φ	1.8	3.6	5.4
6° beamAngle Diameter(m)φ	0.9	1.8	2.7



TECHNICAL PARAMETER:

Power: AC 100-240V 50HZ/60HZ
 Light source: 400W LED
 Power consumption: 450W
 Beam angle: 3°-12° adjustable
 zoom: 6-15° adjustable
 Cast distance 60-70 meters
 Color: 5colors+open
 Dimmer: 0-100% adjustable
 High brightness: 20M/4300LUX
 Manual control, very easy to use
 Cooling system: convection cooling-fan, optimize internal air duct way, heat elimination rapidly
 IP grade: Ip20
 According to various kinds of safety standards,Light weight, easily use As well as the stage,multi-functional studio and disco, wedding ceremony.
 FIXTURE DIMENSION: L790×W290×H290(mm)
 PACKING DIMENSION: L845×W330×H335(mm)
 Net weight: 12.5kgs
 Gross weight: 14.5kgs

技术参数:

电源:AC 90-240V 50HZ/60HZ
 光源: 400W LED
 功耗: 450w
 光束角度: 3° -12° 可调
 变焦: 6 - 15° 可调
 投掷距离: 60-70米
 颜色: 5种颜色+白光可调
 调光: 0 - 100%
 高亮度: 20 m / 4300LUX
 控制方式:手动控制
 冷却系统:轴流风扇致冷, 内部优化风路设计, 散热充分良好.
 IP等级: Ip20
 根据各种安全标准, 重量轻, 使用方便可以用于舞台、多功能演播室和迪斯科舞厅, 婚礼仪式等多种场合。
 产品尺寸: L790×W290×H290 (mm)
 包装尺寸: L845×W330×H335 (mm)
 净重: 12.5公斤
 毛重: 14.5公斤



F-350/380/440



TECHNICAL PARAMETER:

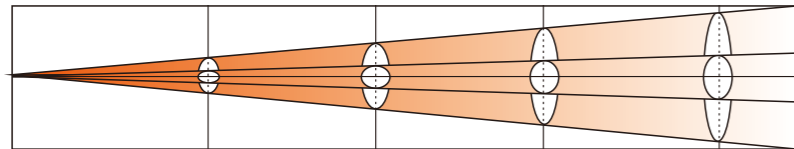
Voltage: AC100-240V 50Hz/60Hz
 Light source: MSD 350/380/440W
 Power: 380W/410W/470W
 Beam angle: 3 to 15 degrees adjustable
 Cast distance: 80-100 meters
 5colors+open, adjustable, zoomable.
 Lightweight, high brightness, 20M/10000-15000LUX
 (centre value)
 Manual control, very easy to use
 Convection cooling-fan, optimize internal air duct way,
 heat elimination rapidly
 Conforms to a variety of security protection,
 Ip20 protection level
 Suitable for stage, wedding, multi-functional performance hall
 and disco and other occasions.
 size: L790 x W290 x H290 (mm)
 Packing dimension: L845xW330xH335(mm)
 Net weight: 12 kg
 Gross weight: 14 kg

技术参数:

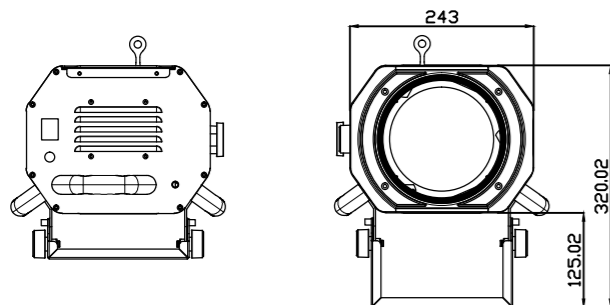
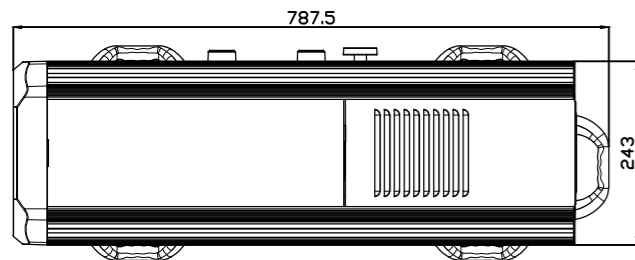
工作电压: AC100-240V 50Hz/60Hz
 光源: MSD 350/380/440W
 功率: 380W/410W/470W
 光斑角度: 3°至15°可调
 投射距离: 80-100米
 5种颜色+白光, 可调光, 可变焦。
 轻便, 亮度高 20M/10000-15000LUX (中心)
 手动控制, 直观易用
 轴流风扇致冷, 内部优化风路设计,
 散热充分良好; 符合各种安全保护,
 Ip20保护等级;
 适用于舞台、婚庆、多功能演艺厅及
 迪斯科等场合。
 灯具尺寸: 长790×宽290×高290 (mm)
 包装尺寸: 长845×宽330×高335 (mm)
 净重: 12 公斤
 毛重: 14 公斤

>>光效图 F-380

LUX 6°	60000	15000	8000	4000
LUX 15°	10000	2500	1300	800



Shoot distance(m)	10	20	30	40
15° beamAngle Diameter(m)φ	1.8	3.6	5.4	7.2
6° beamAngle Diameter(m)φ	0.9	1.8	2.7	3.6



FM-400



TECHNICAL PARAMETER:

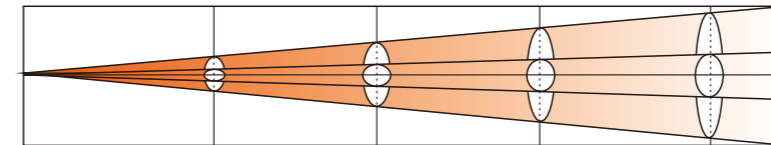
Power: AC 100-240V 50HZ/60HZ
 Light source: 400W LED
 Power consumption: 450W
 Beam angle: 3°-12° adjustable
 zoom: 6-15° adjustable
 Cast distance 60-70 meters
 Color: 5colors+open
 CTO 3200K-7500K stepless adjustable
 Strobe 1/20sec -2 SEC adjustable
 Dimmer: 0-100% adjustable
 High brightness: 20M/4300LUX
 Control mode: DMX512 control
 Cooling system: convection cooling-fan,
 optimize internal air duct way, heat elimination rapidly
 IP grade: Ip20
 According to various kinds of safety standards,Light weight,
 easily use As well as the stage,multi-functional studio and
 disco, wedding ceremony.
 FIXTURE DIMENSION: L790xW290xH290(mm)
 PACKING DIMENSION: L845xW330xH340(mm)
 Net weight: 13.5kgs
 Gross weight: 15.5kgs

技术参数:

电源: AC 100-240V 50HZ/60HZ
 光源: 400W LED
 功耗: 450w
 光束角度: 3°-12°可调
 变焦: 6-15°可调
 投射距离: 60-70米
 颜色: 5种颜色+白光可调
 CTO 3200K-7500K 无级可调
 频闪1/20秒-2秒可调
 调光: 0-100%
 高亮度: 20 m / 4300LUX
 控制方式: DMX512控制 7CH
 冷却系统: 轴流风扇致冷, 内部优化风路设计,
 散热充分良好。
 IP等级: Ip20
 根据各种安全标准, 重量轻, 使用方便可以用于舞台
 、婚礼仪式等多种场合。
 产品尺寸: L790xW290xH290 (mm)
 包装尺寸: L845xW330xH340 (mm)
 净重: 13.5公斤
 毛重: 15.5公斤

FM-400 >>光效图

LUX 6°	20000	4300	2100	1000
LUX 15°	6000	1200	600	300



Shoot distance(m)	10	20	30	40
15° beamAngle Diameter(m)φ	1.8	3.6	5.4	7.2
6° beamAngle Diameter(m)φ	0.9	1.8	2.7	3.6

