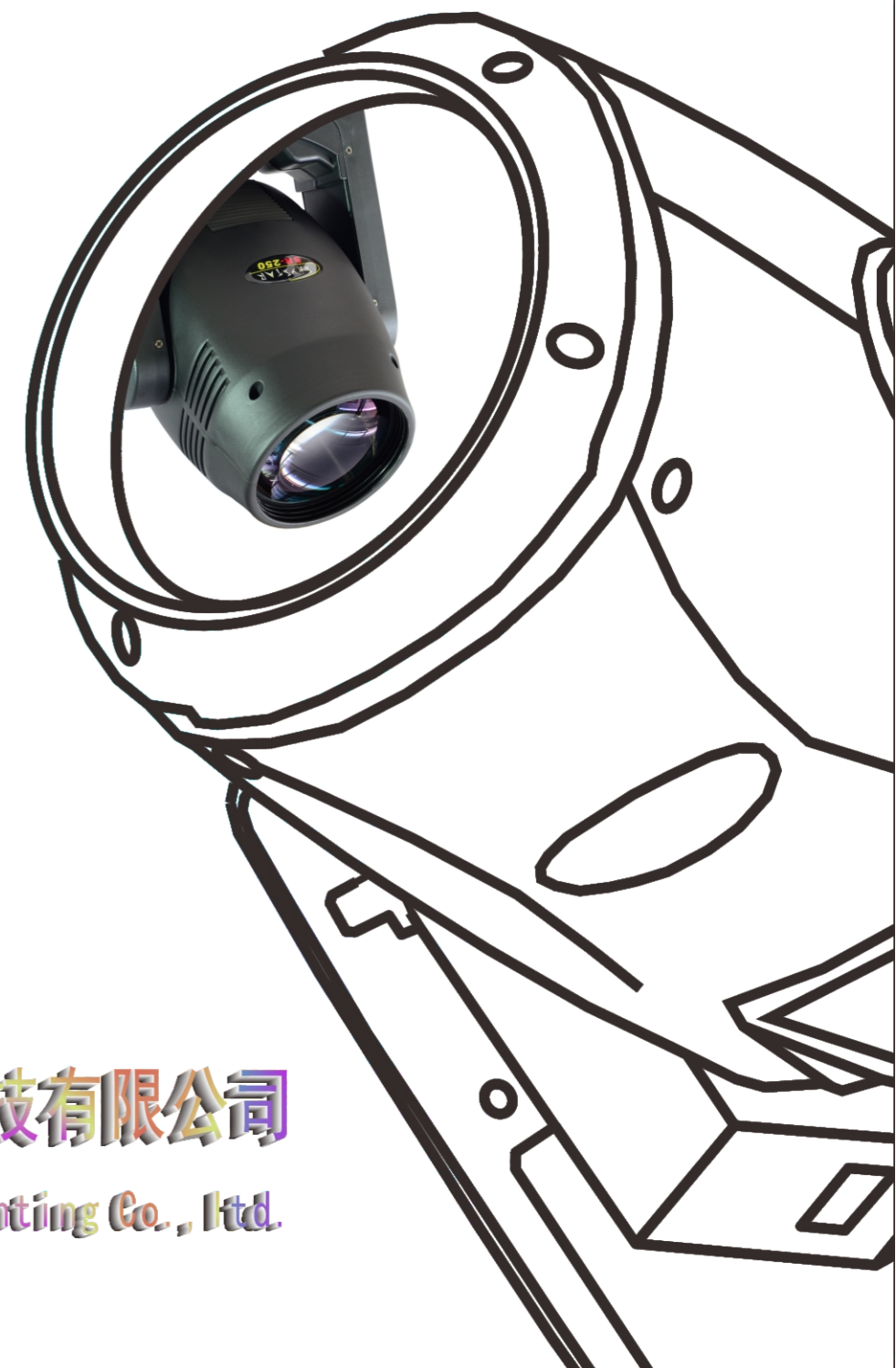


SKYSTAR

2020



广州亮星灯光科技有限公司

Guangzhou Skystar Lighting Co., Ltd.

地址：中国广东广州市天河区龙洞迎龙大道260号龙山工业园E-1栋二层
电话：020-87022418
传真：020-87023011
移动电话：1360286313 15876563678
网址：www.lightskystar.com
http://skystarstage.com
电子邮箱：623872311@qq.com, 2574031523@qq.com,
1725113820@qq.com

Add: 2F., Building E-1, Longshan industry Park, Yinglong RD., Longdong,
Tianhe District, Guangzhou China.
Wed site: www.lightskystar.com
http://skystarstage.com
E-mail: 623872311@qq.com, 2574031523@qq.com,
1725113820@qq.com
Tel: +8620-87022418
Fax: +8620-87023011
cellphone: +86 13609702481 (NIKI)
Whatsapp: +86 15876563678 (Davy Kwok)



广州亮星灯光科技有限公司

Guangzhou Skystar Lighting Co., Ltd.

C M Y

THUNDER-300H

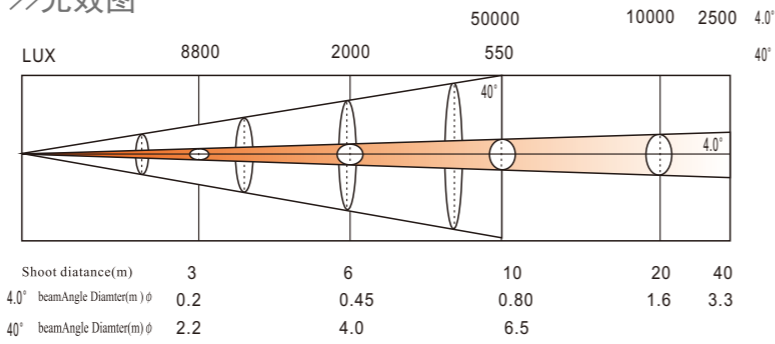
◎ 技术参数:

额定功率: 400W
 光源: 300W LED 白光模组
 使用寿命: 50,000小时
 光斑角度(可变焦): 4°-40°
 颜色轮: 12个颜色片+白光, 半色效果, 可做双向变速彩虹效果。
 图案: 旋转图案轮: 7个可更换图案片(其中4个玻璃图案)+白光, 可做双向变速效果。
 图案: 固定图案轮: 12个可更换图案片+白光, 可做双向变速效果。
 混色系统: CMY 0-100% 可调
 棱镜: 三棱镜和五棱镜双向旋转, 速度可调
 调焦: 线性调焦
 雾化: 0%-100%可调
 调光: 0-100%线性调光
 频闪: 0.5-20次/秒, 速度可调
 旋转角度: 水平540°, 垂直270°(自动回位纠错功能, 具有16bit精度调节)
 切光: 具有颜色+图案+棱镜+水平/垂直切光功能
 控制: 国际标准DMX512信号, 3芯接口
 通道: 24 CH
 显示: 触摸显示屏, 显示可选倒置
 防护等级: IP20, 内置过热和触发高压保护, LED 温度显示
 净重: 23公斤
 毛重: 26公斤
 灯体尺寸: 长390×宽270×高650(mm)
 包装尺寸: 长450×宽320×高710(mm)

◎ TECHNICAL PARAMETER:

VOLTAGE: AC90- 240V 50/60Hz
 LIGHT SOURCE: 300W LED ENGINE
 POWER CONSUMPTION: 400W
 BEAM ANGLE: 4°-40°
 1 COLOR WHEEL: 12 colors+open, half color effect, bi-directional rainbow effect at variable speed
 1 ROTATING GOBO WHEEL: 7 rotating gobos+open, bi-directionally rotating at variable speed
 1 FIX GOBO WHEEL: 12 fix gobos+open, bi-directionally rotating at speed
 CMY SYSTEM: CMY 0-100% adjustable
 2 PRISM WHEEL: 3&5-facet prism, bi-directionally rotating, at variable speed
 FOCUS: Linearly adjustable
 WASH: 0~100% adjustable
 DIMMER: 0~100% linearly adjustable
 STROBE: 0.5~20 flash per second, speed adjustable
 PAN AND TILT: Smooth, automatic Pan & Tilt position correction, speed adjustable
 RANGE: Pan-540°, Tilt-270°(16-bit)
 VECTOR MODE: Color+GOBO+Prism+XY Vector
 CONTROL PROTOCOL: DMX 512, 3 pin interface
 CHANNELS: 24 CH
 DISPLAY: Touch screen, the words can be upside down
 PROTECT GRADE: IP20, overheating & overvoltage protection
 NET WEIGHT: 23KG
 GROSS WEIGHT: 26KG
 FIXTURE DIMENSION: L390×W270×H650(mm)
 PACKING DIMENSION: L450×W320×H710(mm)

>>光效图



THUNDER-150H

◎ 技术参数:

额定电压: AC90-240V, 50/60Hz
 光源: 150瓦 LED 白光模组
 额定功率: 250W
 使用寿命: 50,000小时
 净重: 15公斤
 毛重: 17公斤
 灯体尺寸: 长320×宽260×高520(mm)
 包装尺寸: 长405×宽320×高615(mm)

◎ TECHNICAL PARAMETER:

VOLTAGE: AC90- 240V 50/60Hz
 LIGHT SOURCE: 150W LED ENGINE
 POWER CONSUMPTION: 250W
 NET WEIGHT: 15KG
 GROSS WEIGHT: 17KG
 FIXTURE DIMENSION: L320×W260×H520(mm)
 PACKING DIMENSION: L405×W320×H615(mm)

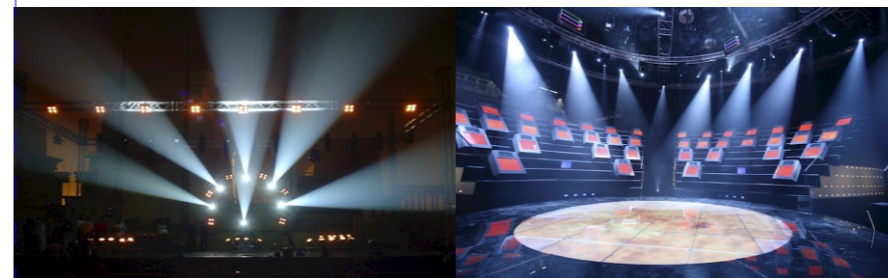
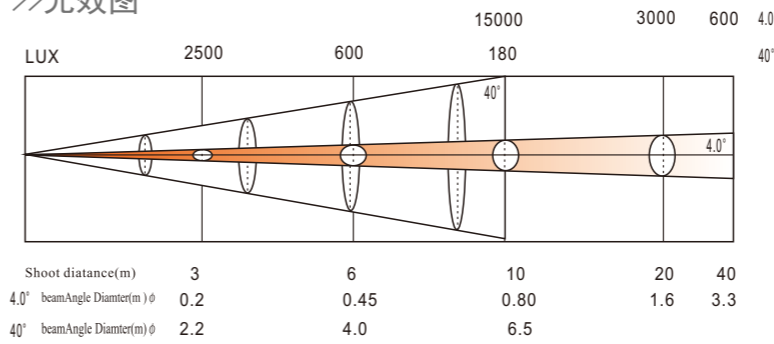
◎ 性能特点:

光斑角度(可变焦): 4°-40°
 颜色轮: 9个颜色片+白光, 半色效果, 可做双向变速彩虹效果。
 图案: 旋转图案轮: 7个可更换图案片(其中2个玻璃图案)+白光, 可做双向变速效果。
 图案: 固定图案轮: 9个可更换图案片+白光, 可做双向变速效果。
 棱镜: 三棱镜, 双向旋转, 速度可调
 调焦: 线性调焦
 雾化: 0%-100%可调
 调光: 0-100%线性调光
 频闪: 0.5-20次/秒, 速度可调
 旋转角度: 水平540°, 垂直270°(自动回位纠错功能, 具有16bit精度调节)
 切光: 具有颜色+图案+棱镜+水平/垂直切光功能
 控制: 国际标准DMX512信号, 3芯接口
 通道: 16CH/20CH
 显示: 触摸显示屏, 显示可选倒置
 防护等级: IP20, 内置过热和触发高压保护, LED 温度显示

◎ PERFORMANCE FEATURE:

BEAM ANGLE: 4°-40°
 1 COLOR WHEEL: 9 colors+open, half color effect, bi-directional rainbow effect at variable speed
 1 ROTATING GOBO WHEEL: 7 rotating gobos+open, bi-directionally rotating at variable speed
 1 FIX GOBO WHEEL: 9 fix gobos+open, bi-directionally rotating at variable speed
 1 PRISM WHEEL: 3-facet prism, bi-directionally rotating, at variable speed
 FOCUS: Linearly adjustable
 WASH: 0~100% adjustable
 DIMMER: 0~100% linearly adjustable
 STROBE: 0.5~20 flash per second, speed adjustable
 PAN AND TILT: Smooth, automatic Pan & Tilt position correction, speed adjustable
 RANGE: Pan-540°, Tilt-270°(16-bit)
 VECTOR MODE: Color+GOBO+Prism+XY Vector
 CONTROL PROTOCOL: DMX 512, 3 pin interface
 CHANNELS: 16/20CH
 DISPLAY: Touch screen, the words can be upside down
 PROTECT GRADE: IP20, overheating & overvoltage protection

>>光效图



THUNDER-150H DMX Channel Control	
CH1 Pan	0° to 540°
CH2 Tilt	0° to 250°
CH3 Pan Fine	0° to 255
CH4 Tilt Fine	0° to 255
Ch5 X/Y Speed	0 to 255 (Fast to slow)
Ch6 Strobe	0 to 255 (240-255)
Ch7 Dimmer	0 to 255 (240-255)
Ch8 Color	0-14, 15-29, 30-44, 45-59, 60-74, 75-89, 90-109, 110-127, 128-255
Ch9 Color Fine	0° to 3°
Ch10 GOBO	0-14, 15-29, 30-44, 45-59, 60-74, 75-89, 90-109, 110-127, 128-255
Ch11 GOBO	0-14, 15-29, 30-44, 45-59, 60-74, 75-89, 90-109, 110-127, 128-255
Ch12 GOBO Automatic	0 to 255 (63, 64, 128, 129)
Ch13 Prism	0 to 255 (31, 32)
Ch14 Prism Automatic	0 to 255 (Long, Short)
Ch15 Atomization	0 to 255
Ch16 Zoom	0 to 255
Ch17 Focus	0 to 255
Ch18 Focus Fine	0 to 255
Ch19	NOP
Ch20 Reset	255 (Later 2s System Reset)

THUNDER-100H LED光束摇头灯

5米照度 190000 LUX



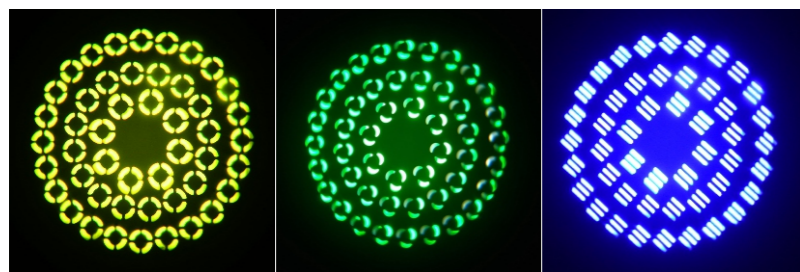
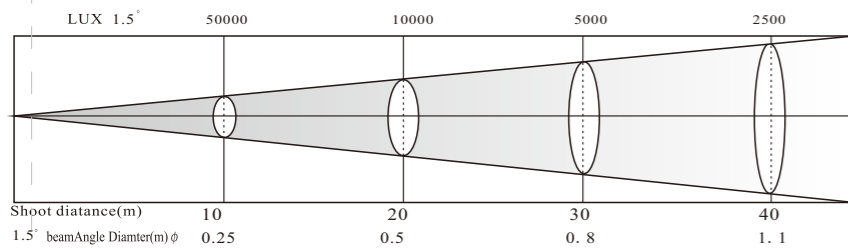
◎ 技术参数:

额定电压: AC90-240V, 50/60Hz
光源: 100W LED 白光模组
额定功率: 180w
使用寿命: 50,000小时
净重: 13公斤
毛重: 15公斤
灯体尺寸: 长330×宽230×高515 (mm)
包装尺寸: 长385×宽320×高535 (mm)
光斑角度: 1.5° (5米照度 190000 LUX)
颜色轮: 12个颜色片+白光, 半色效果, 可做双向变速彩虹效果。
图案: 固定图案轮: 13个可更换图案片+白光, 可做双向变速效果。
棱镜: 两个棱镜, 双向旋转, 速度可调, 六色效果盘
调焦: 线性调焦
雾化: 0%-100%可调
调光: 0-100%线性调光
频闪: 0.5-20次/秒, 速度可调
旋转角度: 水平540°, 垂直270° (自动回位纠错功能, 具有16bit精度调节)
控制: 国际标准DMX512信号, 3芯接口
通道: 16CH
显示: 触摸显示屏, 显示可选倒置
防护等级: IP20, 内置过热和触发高压保护, LED温度显示

◎ TECHNICAL PARAMETER:

VOLTAGE: AC90-240V 50/60Hz
LIGHT SOURCE: 100W LED ENGINE
POWER CONSUMPTION: 180W
NET WEIGHT: 13KG
GROSS WEIGHT: 15KG
FIXTURE DIMENSION: L330×W230×H515(mm)
PACKING DIMENSION: L385×W320×H535(mm)
BEAM ANGLE: 1.5° (5 meters, 190000 LUX)
1 COLOR WHEEL: 12 colors+open, half color effect, bi-directional rainbow effect at variable speed
1 FIX GOBO WHEEL: 13 fix gobos+open, bi-directionally rotating at variable speed
1 PRISM WHEEL: 2 prism, bi-directionally rotating, at variable speed, 6 color wheel.
FOCUS: Linearly adjustable
DIMMER: 0~100% linearly adjustable
WASH: 0~100% adjustable
STROBE: 0.5~20 flash per second, speed adjustable
PAN AND TILT: Smooth, automatic Pan & Tilt position correction, speed adjustable
RANGE: Pan-540°, Tilt-270°
CONTROL PROTOCOL: DMX 512, 3 pin interface
CHANNELS: 16CH
DISPLAY: Touch screen, the words can be upside down
PROTECT GRADE: IP20, overheating & overvoltage protection

>>光效图



THUNDER-100H DMX Channel Control

CH1 Pan	0-255	0°-540°
CH2 Tilt	0-255	0°-250°
CH3 Pan Fine	0-255	3.6°
CH4 Tilt Fine	0-255	3°
Ch5 X/Y Speed	0-255	X/Y Speed Fast to slow
Ch6 Strobe	0-255	0-240
Ch7 Dimmer	0-255	0-100%
Ch8 Color	0-255	16-bit color wheel
Ch9 6 color	0-255	6-color wheel
Ch10 GOBO	0-255	13 gobos
Ch11 GOBO shake	0-255	GOBO shake
Ch12 Prism	0-255	2 prisms
Ch13 Prism rota	0-255	Prism rotation
Ch14 Atomization	0-255	Atomization
Ch15 Focus	0-255	Focus
Ch16 Reset	255	Reset

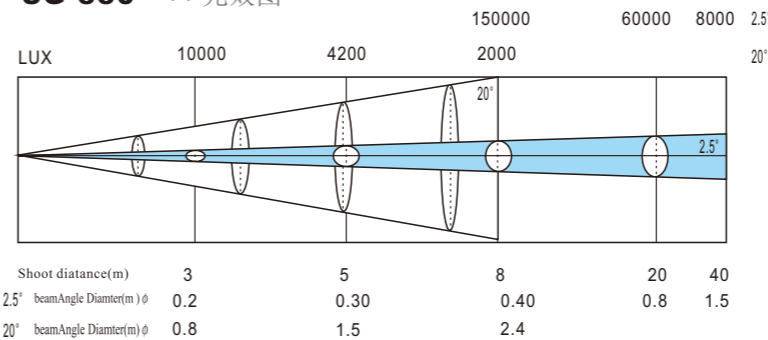
◎ 技术参数:

电源: 100-240V, 50/60Hz
灯泡型号: 17R
功率: 470W
防护等级: IP20
电子整流器. 高精度光学镜头.
通道: 16/24 两种通道选择模式.
显示: 2.2寸彩屏触摸液晶显示屏, 可倒转180° 显示
颜色盘: 一个颜色盘, 有13个色片.
图案盘: 两个图案盘, 固定图案盘13个图案+白光, 旋转图案盘.
旋转图案片直径: 15.4mm 有效内直径: 13mm.
效果轮: 两个可旋转棱镜, 一个圆形八棱镜, 一个直线六棱镜, 雾化功能.
0-100%机械调光, 支持机械频闪和可调速频闪效果, 支持频闪宏功能.
镜头组光学系统. 电动对焦, 光束角 2.5° - 20° 可调.
采用光电复位系统, 当偶然发生误动后, 可自动检索复位.
水平540°, 解析度8Bit/16Bit.
垂直270°, 解析度8Bit/16Bit.
过热保护.
灯具尺寸: 386(长)×365(宽)×589(高)mm
净重: 18KG
毛重: 21公斤

◎ TECHNICAL PARAMETER:

Voltage: 110W-240V/50-60Hz
Ballast: Electronic Ballast
Lamp: HRI 350W
Average Lifespan: 2000Hrs
Power consumption: 470W
Lens: high precision optical lens
Color wheel: 13 dichroic filters + white Rotating
Gobo Wheel: with 9 bidirectional and indexable gobos (outside diameter: 15,4 mm, image diameter: 13 mm)
Static Gobo wheel with 14 fixed gobos, at variable rotation
Prism 1: 8-facet circular prism rotating in both directions at different speeds
Prism 2: 6-facet linear prism rotating in both directions at different speeds
Zoom: parallel beam angel 2.5°-20° change
Wash effect: adjustable Wash effects angle
Focus: linear adjustment
Dimmer: 0-100% linear adjustment
Strobe: Double lens strobe (0.5-9 times/ second)
Pan/Tilt: X axis 540° Y axis 270° automatically accurate positioning
Fixation option: Pan/Tilt-lock mechanism
Control mode: Standard DMX512, Automatic and Master/ slave mode
Channel: 16 CHs / 24 CHs
Controller can open the lamp and reset, including delaying function
NET Weight: 18KG
Gross Weight: 21KG

SG-350 >>光效图



Beam Moving Head Lights SG-350

光束/图案摇头灯



DMX CHART

CH24	CH16	FUNCTION	DESCRIPTION
CH1	CH1	PAN	540°
CH2		PAN FINE	1.8°
CH3	CH2	TILT	270°
CH4		TILT FINE	1.8°
CH5	CH3	X/Y SPEED	
CH6	CH4	MACRO	
CH7	CH5	COLOR	
CH8			
CH9	CH6		
CH10	CH7	GOBO 1	
CH11	CH8	GOBO 2	
CH12	CH9	GOBO ROTATION	
CH13			
CH14	CH10	PRISMA	
CH15	CH11	ROT PRISM	
CH16	CH12	FROST	
CH17	CH13	ZOOM	
CH18		ZOOM FINE	
CH19	CH14	FOCUS	
CH20		ZOOM FOCUS	
CH21			
CH22	CH15	SHUTTER	
CH23	CH16	DIMMER	
CH24			

SR-250
光束摇头灯



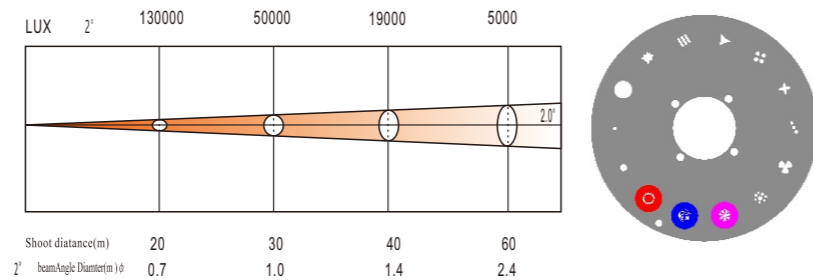
◎ 技术参数:

灯 泡: 250W
功 耗: 230V 50HZ 400VA
光学器件: 高效率镜头组, 变焦0° 至 2°
电子聚焦: 20米处, 130000LUX
通道模式: 16个两种国际标准DMX512通道
水平扫描: 540° (16bit精度扫描)
垂直扫描: 280° (16bit精度扫描)
色 片 盘: 14个色片+白光,
带双向旋转的彩虹效果
旋转图案盘: 17个图案片+白圆,
带图案抖动和图案任意定位功能
棱 镜 盘: 4个可旋转棱镜,两个棱镜盘可叠加。
可正反方向旋转。
频 闪: 双铡刀频闪频率最高可以13次每秒,
并可选择随机频闪及脉冲频闪
调 光: 0%~100%线性调光
雾 化: 0%~100%线性雾化
电子整流器: 使产品重量更轻, 亮度更强,
灯泡更稳定, 更环保, 更节能
开关电源: AC100~240V, 50/60HZ
灯体尺寸: 长290×宽210×高490 (mm)
包装尺寸: 长405×宽320×高595 (mm)
净 重: 14公斤
毛 重: 16公斤

◎ TECHNICAL PARAMETER:

BULB: 250W
POWER CONSUMPTION: 230 V 50 HZ 400 VA
OPTICAL DEVICE: high efficiency lens group, 0° -2° zoom
ELECTRONIC FOCUS: 20 meters, 130000 LUX
CHANNEL MODE: 16 standard DMX512 channel
LEVEL SCANNING: 540(16 bit precision scan)
VERTICAL SCAN: 280(16 bit precision scan)
COLOR WHEEL: 14color and white light
with two-way rotating and rainbow effect
ROTATING GOBO WHEEL: 17 gobos and white circle
with design jitter and arbitrary positioning function
PRISM: 5 prism, 2 prism wheel with superposition,
positive and negative rotation .
SHUT: Double pole shut up to 13 times per second,
random shut and pulse shut can be choosed
DIMMER: 0% ~ 100% linear dimmer
FROST: 0% ~ 100% linear frost
Electronic ballast : make the product more light and bright,
Lamp more stable environmental protection and
more energy saving
SWITCHING POWER SUPPLY : AC100 ~ 240 V, 50/60 HZ
FIXTURE DIMENSION: L290×210×490(mm)
PACKING DIMENSION: L405×320×595(mm)
NET WEIGHT: 14KG
GROSS WEIGHT: 16KG

SR-250 >>光效图



SR-250 DMX Channel Control

CH1 Pan	0° - 540°
CH2 Tilt	0° - 250°
CH3 Pan Fine	0° - 3.6°
CH4 Tilt Fine	0° - 3°
Ch5 X/Y Speed	Fast to slow
Ch6 0 color	0 - 255
Ch7 Strobe	0 - 240
Ch8 Dimmer	0 - 255
Ch9 Color	0-7, 8-15, 16-23, 24-31, 32-39, 40-47, 48-55, 56-63, 64-71, 72-79
Ch10 GOBO	0 - 128-255
Ch11 Prism1	0° - 128°
Ch12 Prism1 rotate	0° - 360°
Ch13 Prism2	0° - 128°
Ch14 Prism2 rotate	0° - 360°
Ch15 Focus	100-105, 200-205, 255
Ch16 Reset	100-105: Turn off the lamp; 200-205: Turn on the lamp (off one lamp after 1 minute); 255: Later 2s System Reset

FS-4500
LED超高亮度追光灯



◎ 技术参数:

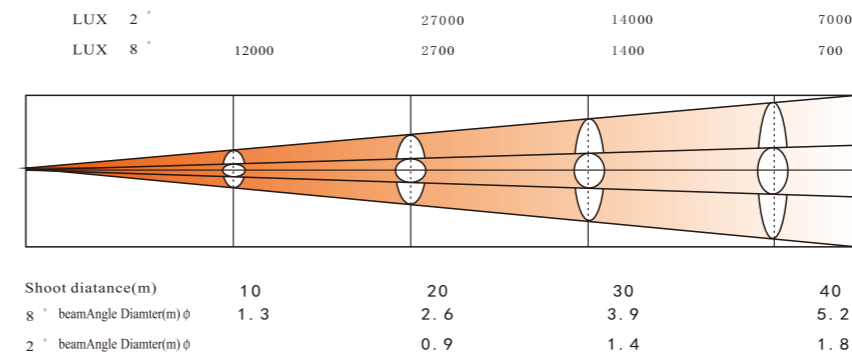
工作电压: AC90-240V 50Hz/60Hz
光 源: 450w led 模组
功 率: 550W
光斑角度: 2° 至 20° 可调
电动控制调节
变焦: 2° 至 8° 可调
电动控制调节
投射距离: 200米
5种颜色+白光.
轻便, 亮度高 20M/27000LUX
电子控制.
轴流风扇致冷, 内部优化风路设计, 散热充分良好;
符合各种安全保护, Ip20保护等级;
适用于舞台、婚庆、多功能演艺厅及迪斯科等场合。
灯具尺寸: 长1030×宽370×高330 (mm)
包装尺寸: 长1200×宽470×高480 (mm)
净 重: 灯体37 公斤, 支架10公斤
毛 重: 灯体43 公斤

◎ TECHNICAL PARAMETER:

Power: AC 90-240V 50Hz/60Hz
Light source: 450w LED ENGINE
Power consumption: 550W
Beam angle: 2° - 20° adjustable
Electric adjustable
Zoom: 2° - 8° adjustable
Electric adjustable
Cast distance 200 meters
Color: 5colors+open
High brightness :20M/27000LUX
Cooling system: convection cooling-fan,
optimize internal air duct way,
heat elimination rapidly.

IP grade: Ip20
According to various kinds of safety standards,
Light weight,) ,Electric control easily use
As well as the stage, multi-functional studio
and disco, wedding ceremony.
Fixture dimension: L1030×W370×H320(mm)
Packing dimension: L1200×W470×H480(mm)
Net weight: Body 37kgs, holder 10kgs
Gross weight: body 37kgs

>>光效图



FS-440 高效追光灯



◎技术参数:

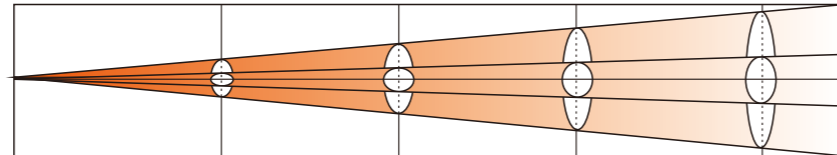
工作电压: AC90-240V 50Hz/60Hz
 光源: YODU MSD 20R (FS-440)
 YODU MSD 17R (FS-350)
 功率: 550W (FS-440) 450W (FS-350)
 光斑角度: 3° 至 15° 可调
 调焦: 6° 至 15° 可调
 投射距离: 80-100米
 4种颜色+白光
 轻便, 亮度高20M/10000-15000LUX (中心)
 手动控制, 直观易用
 轴流风扇致冷, 内部优化风路设计, 散热充分良好;
 符合各种安全保护, IP20保护等级;
 适用于舞台、婚庆、多功能演艺厅及迪斯科等场合。
 灯具尺寸: 长870×宽260×高220 (mm)
 包装尺寸: 长1030×宽300×高270 (mm)
 净重: 12 公斤
 毛重: 16 公斤

◎ TECHNICAL PARAMETER:

POWER: AC 90-240V 50Hz/60Hz
 LIGHT SOURCE: YODU MSD 20R (FS-440)
 YODU MSD 17R (FS-350)
 POWER CONSUMPTION: 550W (FS-440) 450W (FS-350)
 Beam angle: 3°- 15°adjustable
 ZOOM: 6° - 15° adjustable
 Cast distance: 80-100M
 4colors+open
 Lightweight, high brightness 20M/10000-15000LUX (centre value)
 Manual control, easily use
 Convection cooling-fan, optimize internal air duct way, heat elimination rapidly
 According to various kinds of safety standards, IP20 protect grade
 As well as the stage, multi-functional studio and disco, wedding ceremony.
 FIXTURE DIMENSION: L870×W260×H220(mm)
 PACKING DIMENSION: L1030×W300×H270(mm)
 NET WEIGHT: 12KG
 GROSS WEIGHT: 16KG

>>光效图

LUX 6°	60000	15000	8000	4000
LUX 15°	10000	2500	1300	800



Shoot distance(m)	10	20	30	40
15° beamAngle Diameter(m)φ	1.8	3.6	5.4	7.2
6° beamAngle Diameter(m)φ	0.9	1.8	2.7	3.6



FS-400D LED电控追光灯



◎技术参数:

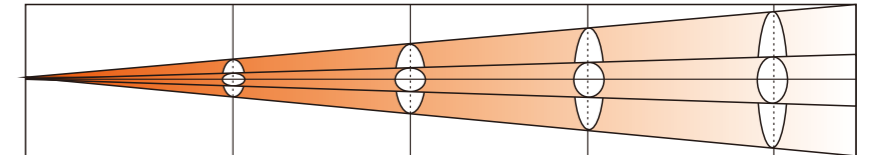
工作电压: AC90-240V 50Hz/60Hz
 光源: 400w led
 (特别光学结构, 超越传统2500w追光灯亮度)
 功率: 450W
 光斑角度: 3° 至 12° 可调
 电动控制调节 (FS-400D)
 变焦: 6° 至 15° 可调
 电动控制调节 (FS-400D)
 投射距离: 70-80米
 4种颜色+白光
 轻便, 亮度高 20M/3600LUX
 手动控制 (FS-400), 电子控制 (FS-400D)
 轴流风扇致冷, 内部优化风路设计, 散热充分良好;
 符合各种安全保护, IP20保护等级;
 适用于舞台、婚庆、多功能演艺厅及迪斯科等场合。
 灯具尺寸: 长830×宽260×高220 (mm)
 包装尺寸: 长1030×宽300×高270 (mm)
 净重: 11 公斤
 毛重: 16 公斤

◎ TECHNICAL PARAMETER:

Power: AC 90-240V 50Hz/60Hz
 Light source: 400w LED
 Power consumption: 450W
 Beam angle: 3°- 12°adjustable
 Electric adjustable (FS-400D)
 Zoom: 6° - 15°adjustable
 Electric adjustable (FS-400D)
 Cast distance 70-80 meters
 Color: 4colors+open
 High brightness :20M/3600LUX
 Cooling system: convection cooling-fan, optimize internal air duct way, heat elimination rapidly.
 IP grade: IP20
 According to various kinds of safety standards, Light weight, manual control (FS-400D), Electric control (FS-400D) easily use
 As well as the stage, multi-functional studio and disco, wedding ceremony.
 Fixture dimension: L830×W260×H220(mm)
 Packing dimension: L1030×W300×H270(mm)
 Net weight: 11kgs
 Gross weight: 16kgs

>>光效图

LUX 6°	18000	3600	2000	1000
LUX 15°	6000	1200	600	300



Shoot distance(m)	10	20	30	40
15° beamAngle Diameter(m)φ	1.8	3.6	5.4	7.2
6° beamAngle Diameter(m)φ	0.9	1.8	2.7	3.6

FS-400 LED追光灯



高配支架可选
 手摇升降
 最高可达2.5米

High class stand are available
 Hand-worried lifting
 Maximum height 2.5m



SHADOW-400 LED追光灯



◎技术参数:

工作电压: AC90-240V 50Hz/60Hz
光源: 400W led
功率: 450W
光斑角度: 3° 至 15° 可调
投射距离: 40-50米
轻便, 亮度高, 电子调光
4种颜色+白光
手动控制, 直观易用
轴流风扇致冷, 内部优化风路设计, 散热充分良好;
符合各种安全保护, IP20保护等级;
适用于舞台、婚庆、多功能演艺厅及迪斯科等场合。
灯具尺寸: 长560×宽260×高180 (mm)
包装尺寸: 长610×宽290×高240 (mm)
净重: 9 公斤
毛重: 11公斤

◎ TECHNICAL PARAMETER:

POWER: AC 90-240V 50Hz/60Hz
LIGHT SOURCE: 400W led
POWER CONSUMPTION: 450W
Beam angle: 3°- 15°adjustable
Cast distance: 40-50M
Lightweight, high brightness, dimmer
4colors+open
Manual control, easily use
Convection cooling-fan, optimize internal air duct way, heat elimination rapidly
According to various kinds of safety standards, IP20 protect grade
As well as the stage, multi-functional studio and disco, wedding ceremony.
FIXTURE DIMENSION: L560×W260×H180(mm)
PACKING DIMENSION: L610×W290×H240(mm)
NET WEIGHT: 9KG
GROSS WEIGHT: 11KG

SHADOW-250 LED 追光灯



◎技术参数:

工作电压: AC90-240V 50Hz/60Hz
光源: 200W led
功率: 250W
光斑角度: 1° 至 15° 可调
投射距离: 25-30米
轻便, 亮度高, 电子调光
4种颜色+白光
手动控制, 直观易用
轴流风扇致冷, 内部优化风路设计, 散热充分良好;
符合各种安全保护, IP20保护等级;
适用于舞台、婚庆、多功能演艺厅及迪斯科等场合。
灯具尺寸: 长560×宽260×高180 (mm)
包装尺寸: 长710×宽340×高300 (mm)
净重: 9 公斤
毛重: 11公斤

◎ TECHNICAL PARAMETER:

POWER: AC 90-240V 50Hz/60Hz
LIGHT SOURCE: 200W led
POWER CONSUMPTION: 250W
Beam angle: 1°- 15°adjustable
Cast distance: 25-30M
Lightweight, high brightness, dimmer
4colors+open
Manual control, easily use
Convection cooling-fan, optimize internal air duct way, heat elimination rapidly
According to various kinds of safety standards, IP20 protect grade
As well as the stage, multi-functional studio and disco, wedding ceremony.
FIXTURE DIMENSION: L560×W260×H180(mm)
PACKING DIMENSION: L710×W340×H300(mm)
NET WEIGHT: 9KG
GROSS WEIGHT: 11KG

2.5 Meter Led Flame Lights

TX-2000R/TX-200H/TX-100H

2.5米 十字布LED火焰灯



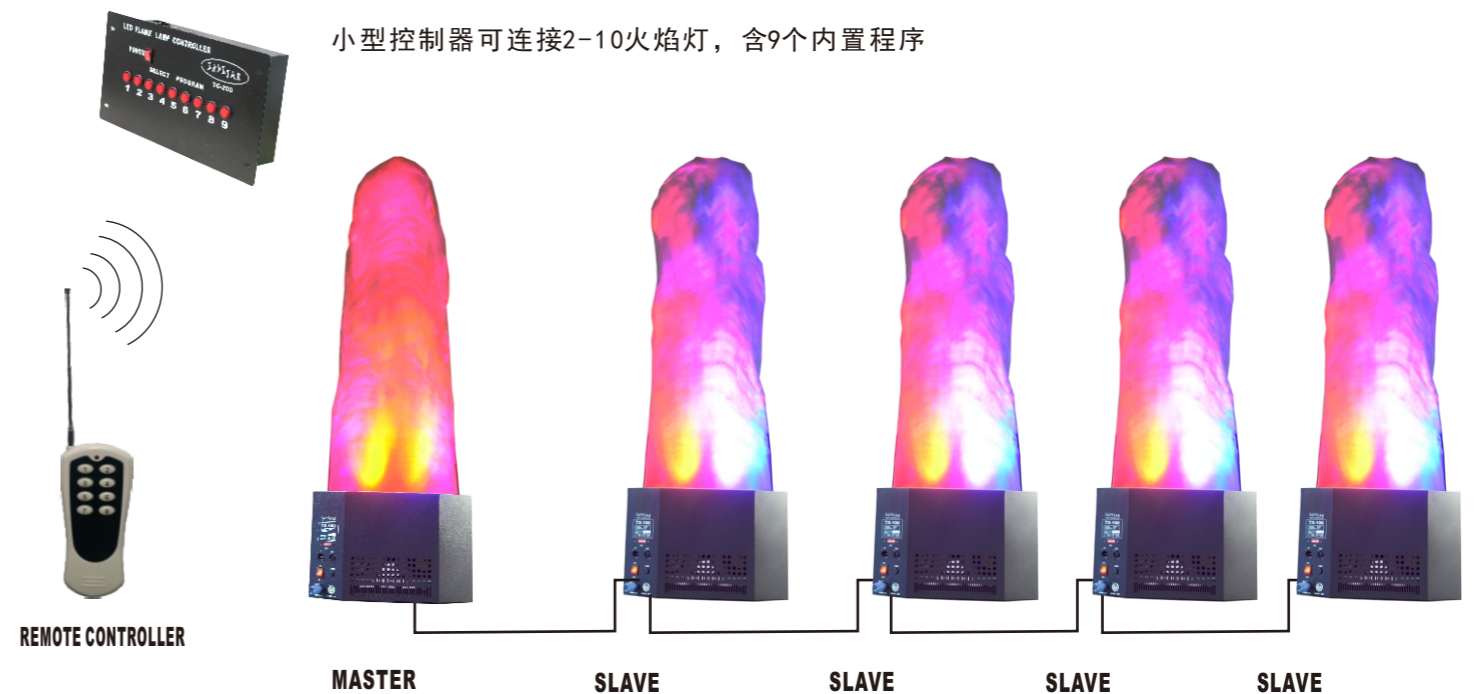
◎技术参数:

工作电压: AC200-240V 50Hz/60Hz
光源: 72X3W TX-2000R
36X3W TX-200H
10X3W TX-100H
功率: 400W TX-2000R
200W TX-200H
150W TX-100H
频闪: 1-20次/秒
14个标准DMX512通道
火焰高度: 2.5米 TX-2000R
1.5米 TX-200H, TX-100H
特点: 多彩火焰效果, 梦幻火焰颜色动感变化, 颜色变化, 速度可调, 颜色设有频闪功能
控制模式: 遥控模式, DMX512信号模式, 主从控制模式(多台同步)带自走程序
工作环境: 室内0°C-40°C
预计使用寿命: 10000小时
符合各种安全保护, IP20保护等级;
适用于舞台、广告宣传、展览会等场合
灯具尺寸: 长620×宽620×高370 (mm) TX-2000R
长440×宽440×高360 (mm) TX-200H
长520×宽250×高340 (mm) TX-100H
净重: 25公斤 TX-2000R
12公斤 TX-200H
11公斤 TX-100H

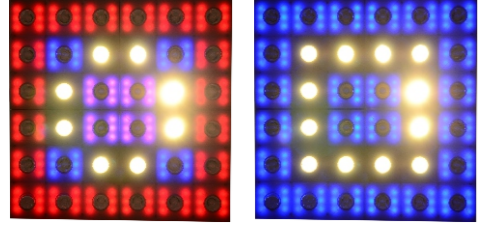
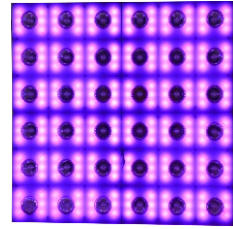
◎ TECHNICAL PARAMETER:

POWER: AC 200-240V 50Hz/60Hz
LIGHT SOURCE: 72X3W TX-2000R
36X3W TX-200H
10X3W TX-100H
POWER CONSUMPTION: 400W TX-2000R
200W TX-200H
150W TX-100H
STROBE: 1-20time/second
14standard DMX512 channels
Flame height 2.5M TX-2000R
1.5M TX-200H, TX-100
Feature: colorful flame effect, fire color, adjustable, Flash, Built-in programs
Control Mode: telecontrol mode, DMX512 signal control mode, master-slave control mode (Multiple simultaneous) procedures with self-propelled
Working environment: indoor 0°C -40°C
Expected useful life: 10000hours
According to various kinds of safety standards, IP20 protect grade
As well as the stage, exhibition, advertising.
FIXTURE DIMENSION: 620x620x370(mm) TX-2000R
440x440x360(mm) TX-200H
520x250x340(mm) TX-100H
NET WEIGHT: 25KG TX-2000R
12KG TX-200H
11KG TX-100H

小型控制器可连接2-10火焰灯, 含9个内置程序



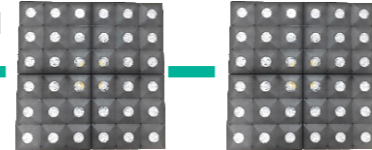
ET-36 LED像素灯



Art-net Signal



DMX Signal



ET-36

◎技术参数:

电 压: 90~240V AC, 50~60Hz
功 率: 140W
灯 珠1: 36颗 3瓦 科瑞灯珠
灯 珠2: 216颗5050三合一 灯珠
DMX通道: 144/149个标准DMX512通道
工作温度: 室内-20~40度,
灯 体: 塑料+铁
保护等级: IP20
外观尺寸: 长500×宽500×高80mm
包装尺寸: 长560×宽560×高120mm
净 重: 5kg
毛 重: 7kg

◎ TECHNICAL PARAMETER:

Voltage: 90 ~ 240V AC, 50 ~ 60HZ
Power: 140W
LED Source1:36pcs 3W CREE LED
LED Source2:216pcs 5050 3in1 LED
DMX Channels:144/149CH standard DMX512 channels
Working environment: -20°C~40°C
Cover: Plastic+Iron
DIMENSIONS: L500×500×80mm
PACKING SIZE:L560 ×560 ×120mm
Net weight: 5kg
Gross weight: 7kg

WED-18MX LED防水投光灯



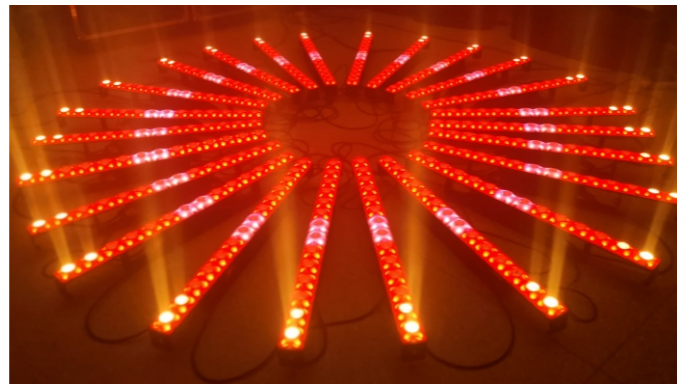
◎技术参数:

电 压: 90~240V AC, 50~60Hz
额定功率: 180W
光源功率: 18×8W 4合一
防水等级: IP65
预计使用寿命: ≥50000个小时
控制通道: 7CH标准DMX512通道控制
连接数量: 一个连路可连接20台。
控制模式: DMX512信号控制模式,
主从控制模式(多台同步)带自走程序
保护功能: 过压、过流、温保自动复位功能
环境温度: -18°C~38°C
工作温升: 10°C~35°C
颜 色: 颜色可任意调节变化,
有颜色流水功能, 速度快慢可调
调 光: 0~100%电子调光,
各颜色可以单独或是混合调光
频 闪: 1~25次/秒高速频闪,
可以单色, 混色温频闪
显 示 板: LED显示面板
冷却方式: 机体自动散热
外观尺寸: 长350×宽350×高180mm
包装尺寸: 长370×宽370×高320mm
净 重: 6.5kg
毛 重: 7.5kg

◎ TECHNICAL PARAMETER:

VOLTAGE: 90 ~ 240V AC, 50 ~ 60HZ
POWER: 180W
POWER OF LIGHT SOURCE: 18x 8W 4IN1
WATERPROOF GRADE: Ip65
EXPECTED SERVICE LIFE: 50000 hours
CONTROL CHANNEL: 7CH standard DMX512 channel control
THE MUNBER OF CONNECTIONS: one line can be conncted to 20
CONTROL MODE: DMX512 signal control mode, master-slavecontrol mode (Multiple simultaneous) procedures withself-propelled
Protective function of overvoltage, overcurrent, PROTECTION : automatic reset function
AMBIENT TEMPERATURE:-18°C~38°C
WORKING TEMPERATURE:10°C~35°C
COLOR: any color can be adjusted the color change, water features, speed can be adjusted
DIMMING: 0-100% electronic dimming, various colors can be alone or mixed light modulation
STROBE: 1-25 / s high-speed stroboscopic, can be monochromatic, mixed color temperature light
DISPLAY PANEL: LED display panel
COOLING MEANS: automatic radiating body
DIMENSIONS: L350 x W350 x H180mm
PACKING SIZE:L350x W350 x H320mm
N.W:6.5kg
G.W:7.5kg

ET-14 LED跑马变色灯



◎技术参数:

电 压: 90~240V AC, 50~60Hz
功 率: 60W
灯 珠1: 14颗 3瓦 科瑞灯珠
灯 珠2: 56颗5050三合一 灯珠
DMX通道: 61个标准DMX512通道
工作温度: 室内-20~40度,
灯 体: 塑料+铁
保护等级: IP20
外观尺寸: 长1000×宽70×高120mm
包装尺寸: 长1060×宽120×高160mm
净 重: 2kg
毛 重: 3kg

◎ TECHNICAL PARAMETER:

Voltage: 90 ~ 240V AC, 50 ~ 60HZ
Power: 60W
LED Source1:14pcs 3W CREE LED
LED Source2:56pcs 5050 3in1 LED
DMX Channels:61CH standard DMX512 channels
Working environment: -20°C~40°C
Cover: Plastic+Iron
DIMENSIONS: L1000×70×120mm
PACKING SIZE:L1060 ×120 ×160mm
Net weight: 2kg
Gross weight: 3kg

WED-200C COB防水投光灯



◎技术参数:

电 压: 90~240V AC, 50~60Hz
功 率: 230W
灯 珠: 200W COB
2个标准DMX512通道
颜 色: 4500K白光
多种频闪: 1~25次/秒
控制模式: DMX512信号控制模式,
主从控制模式(多台同步)带自走程序
电子调光0~100%线性调节
显 示 板: LED显示面板
冷却方式: 风扇冷却
保护措施: 过流、过压、温保
预计使用寿命: 50000个小时
外观尺寸: 长240×宽300×高420mm
包装尺寸: 长280×宽280×高480mm
净 重: 8.5kg
毛 重: 9.5kg
灯 体: 铸铝

◎ TECHNICAL PARAMETER:

Voltage: 90 ~ 240V AC, 50 ~ 60HZ
Power: 230W
Lamp beads: 200W COB
2standard DMX512 channels
Color: 4500K white
A variety of Flash: 1 ~ 25 times / sec (conventional strobe,
Control Mode: DMX512 signal control mode, master-slave control mode (Multiple simultaneous) procedures withself-propelled
Electronic dimming from 0 to 100% linear regulator
Display panel: LED display panel
Cooling: Fan cooling
Protection: over current, over voltage, temperature and security
Expected useful life: 50,000 hours
DIMENSIONS: L240×300×420mm
PACKING SIZE:L280 ×280 ×480mm
Net weight: 8.5kg
Gross weight: 9.5kg
Lamp body: aluminum

FM-100S

LED迷你投光灯



◎技术参数:

电压: 90~240V AC, 50~60Hz
功率: 110W
灯珠: 100W COB
2个标准DMX512通道
颜色: 4500K白光(4色可选)
多种频闪: 1~25次/秒
控制模式: DMX512信号控制模式, 主从控制模式(多台同步)带自走程序
电子调光0~100%线性调节
显示板: LED显示面板
冷却方式: 风扇冷却
保护措施: 过流、过压、温保
预计使用寿命: 50000个小时
外观尺寸: 长160×宽220×高220mm
包装尺寸: 长220×宽220×高280mm
净重: 3kg
毛重: 4kg
灯体: 铸铝

◎ TECHNICAL PARAMETER:

Voltage: 90 ~ 240V AC, 50 ~ 60HZ
Power: 110W
Lamp beads: 100W COB
2standard DMX512 channels
Color: 4500K white (4 color select)
A variety of Flash: 1 ~ 25 times / sec (conventional strobe,
Control Mode: DMX512 signal control mode, master-slave control mode (Multiple simultaneous) procedures
withself-propelled
Electronic dimming from 0 to 100% linear regulator
Display panel: LED display panel
Cooling: Fan cooling
Protection: over current, over voltage, temperature and security
Expected useful life: 50,000 hours
DIMENSIONS: L160×220×220mm
PACKING SIZE:L220 ×220 ×280mm
Net weight: 3kg
Gross weight: 4kg
Lamp body: aluminum

FM-220

LED大功率投光灯



◎技术参数:

电压: 90~240V AC, 50~60Hz
功率: 250W
灯珠: 4X55W COB
8个标准DMX512通道
颜色: 3200K/6000K白光
多种频闪: 1~25次/秒
控制模式: DMX512信号控制模式, 主从控制模式(多台同步)带自走程序
电子调光0~100%线性调节
显示板: LED显示面板
冷却方式: 风扇冷却
保护措施: 过流、过压、温保
预计使用寿命: 50000个小时
外观尺寸: 长230×宽280×高330mm
包装尺寸: 长250×宽250×高360mm
净重: 4.5kg
毛重: 5.5g
灯体: 铝

◎ TECHNICAL PARAMETER:

Voltage: 90 ~ 240V AC, 50 ~ 60HZ
Power: 250W
Lamp beads: 4X55W COB
8standard DMX512 channels
Color: 3200K/6000K white
A variety of Flash: 1 ~ 25 times / sec (conventional strobe,
Control Mode: DMX512 signal control mode, master-slave control mode (Multiple simultaneous) procedures
withself-propelled
Electronic dimming from 0 to 100% linear regulator
Display panel: LED display panel
Cooling: Fan cooling
Protection: over current, over voltage, temperature and security
Expected useful life: 50,000 hours
DIMENSIONS: 230×280×330mm
PACKING SIZE:L250 ×250 ×360mm
Net weight: 4.5kg
Gross weight: 5.5kg
Lamp body: aluminum

HLD-18MX

LED全彩Par灯



◎技术参数:

电压: 90~240V AC, 50~60Hz
功率: 160W
灯珠: 18X8W RGBW 4合1
光学透镜: 标准25° 可选 45°、60°
8个标准DMX512通道
颜色: 1670万种颜色变化, 有颜色流水功能, 速度快慢可调
频闪: 1~20次/秒线性调节
控制模式: DMX512信号控制模式, 主从控制模式(多台同步)带自走程序
电子调光: 0~100%线性调节
显示板: LED显示面板
冷却方式: 风扇冷却
保护措施: 过流、过压、温保
预计使用寿命: 50000个小时
外观尺寸: 长210×宽260×高190mm
包装尺寸: 长255×宽260×高255mm
净重: 2.5kg
毛重: 3kg
灯体: 铸铝

◎ TECHNICAL PARAMETER:

Voltage: 90 ~ 240V AC, 50 ~ 60HZ
Power: 160W
Lamp beads: 18X8W RGBW 4 in 1
Optical lens: standard 25° optional 45° , 60°
8standard DMX512 channels
Color: 1670 kinds of colors, colored water features, speed Level speed adjustable
A variety of Flash: 1 ~ 20 times / sec linear regulator
Control Mode: DMX512 signal control mode, master-slave control mode (Multiple simultaneous) procedures with self-propelled
Electronic dimming from 0 to 100% linear regulator
Display panel: LED display panel
Cooling: Fan cooling
Protection: over current, over voltage, temperature and security
Expected useful life: 50,000 hours
DIMENSIONS: L210×260×190mm
PACKING SIZE:L255 ×260 ×255mm
Net weight: 2.5kg
Gross weight: 3kg
Lamp body: aluminum

FM-200D

LED变焦投光灯



◎技术参数:

光源: 1 x 200W 3000/4000/5700K LED模组
灯珠寿命: 平均寿命≥50000
可调色温: 2750K-6500K
缩放角度: 9° -- 50° 可调节
通道模式: 5 通道
控制模式: DMX512, 主从机, 声控, 自走
显示屏: LCD 中英文显示屏
信号输入输出: 三芯、五芯(可选)卡侬头插座
电源插座: PowerCon 输入/输出
防护等级: IP20
显指: CRI ≥95 超高亮度, 可替代传统1000W的PAR灯
线性调焦系统: 变焦范围: 9° ~50°
调光系统: 0~100%线性LED调光系统
频闪: 1-25次/秒高速LED闭光/频闪效果, 速度可调
效果: 多种速度频闪效果
系统: 快速静音操作, 无闪烁
输入电源: AC 100~240V, 50/60Hz
功率: 200W
尺寸: 360*290*340mm
净重: 5kg

◎ TECHNICAL PARAMETER:

Voltage: AC 100~240V, 50/60hz
Power: 200 w
Light source: 1 x 200W 3000/4000/5700k LED module
Lamp bead life: average life ≥50000
Adjustable color temperature: 2750K-6500K
Zoom Angle: 9°-- 50° adjustable
Channel: 5 channels
Control mode: DMX512, master slave, voice control, self-walk
Display screen: LCD display
Signal input and output: three core, five core (optional)
Power socket: PowerCon input/output
Protection level: IP20
Indication: CRI≥95 ultra high brightness, can replace the traditional 1000W PAR light
Linear focusing system:
Zoom range: 9°~50°
Dimming system: 0-100% linear LED dimming system
Strobe: 1-25 times/second high speed LED shut-off/strobe effect, speed adjustable
Effects: various speed stroboscopic effects
System: fast mute operation, no flickerInput
Size: 360 * 290 * 340 mm
Net weight: 5 kgs